

# KVFNE

## Solenoid Actuated Spool Valves

Namur  
(G1/4)

5/2



### Features

- ◆ High endurance spool valves
- ◆ Suitable for non-hazardous applications
- ◆ Media - compressed air and neutral gases
- ◆ Mounting - direct to Namur actuator face
- ◆ Manual override

### Materials

Body:	Aluminium
Spool:	Aluminium
Seals:	Nitrile
Endcaps:	Glass filled polyester
Springs:	Stainless steel
Seal spacers:	PPS

### Technical Specifications

Function:	5/2
Port connections:	Namur (G1/4 supply)
Main pressure range:	3 bar min +10 bar max
Lubrication:	Dry or lubricated
Filtration:	40µm
Temperature range:	-20°C min +50°C max
Voltage options:	DC 6, 12, 24, 48, 110V AC 12, 24, 48, 110, 230V 50/60Hz
Power consumption:	1.9W DC, 3.8VA AC
Additional information:	See tables

Part Number	Port connection	Function	Actuation	
			'I'	'O'
KVFNE11165	Namur	5/2	Solenoid	Spring

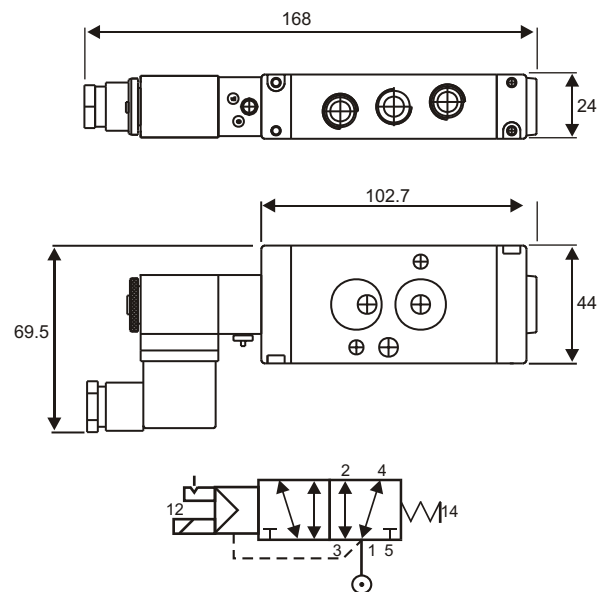
These valves are also available with IS/Ex operators.

### Optional Extras

These valves are also available with explosion protected coils

### Dimensions

units mm



Part Number	Pilot pressure bar		Response time milliseconds max @ 5.5 bar		Flow nl/s (dm³/s) @ p 5.5 bar	Cv	Kv	Effective Ø mm
	min	max	'I'	'O'				
KVFNE11165	3	10	30	35	30	1.2	18	6.1

### Ordering Information:

#### By Valve part number + Voltage

All valves are supplied complete with coil and connectors (please specify voltage)

