

# Type FRC Series

## Filter-Regulator Combination

G1/4 G3/8 G1/2



### Features

- ◆ Push-to-lock non rising regulator control knob
- ◆ Consistent pressure setting
- ◆ Manual drain fitted as standard
- ◆ Auto drain option
- ◆ Rugged metal bowl guards

### Description

These conventional filter-regulator units can be used individually or in conjunction with combination air preparation units (FRLs).

### Technical Specifications

Medium: Compressed air  
 Temperature range: -10°C to 60°C  
 Pressure range  
     Standard: Input 0.5 to 10 bar  
                   Output 0.5 to 10 bar  
     Options: 0.2 to 2 bar  
               0.2 to 4 bar  
               0.5 to 7 bar  
 Filtration  
     Standard: 40 µm  
     Options: 5, 25, 50, 100 µm  
 Max input pressure: 10 bar  
 Gauge ports: G1/8 (Two)

### Ordering Information: By part number adding suffix for filtration and pressure range

Example:

FRC1361 3 4

Filtration	Pressure range
1 - 5 µm	1 - 0.2 to 2 bar
2 - 25 µm	2 - 0.2 to 4 bar
3 - 40 µm (std)	3 - 0.5 to 7 bar (std)
4 - 50 µm	4 - 0.5 to 10 bar
5 - 100 µm	

Part number	Port connections	Flow @ 7 bar p 1 bar l/min	Unit weight kg	Bowl capacity filter
FRC1361	G1/4	550	0.30	9 ml
FRC1462	G3/8	1800	0.58	32 ml
FRC1563	G1/2	3000	1.27	44 ml

Pressure gauge should be ordered separately

Internal springs and outer indicator rings are colour coded to indicate maximum output pressure:

2 bar	Green
4 bar	Blue
7 bar (standard)	Red
10 bar	Grey

### Materials

Body: Diecast aluminium  
 Seals: Nitrile  
 Filter bowl: Polycarbonate with steel bowl protector  
 Filter element: Sintered bronze  
 Control knob: Ryton®-PPS  
 Control knob housing: Ryton®-PPS  
 Mounting ring: Ryton®-PPS  
 Diaphragm: Nitrile

### Optional extras

External autodrain are available to suit units, G1/4, G3/8, G1/2.

Add suffix EAD to part number.

An internal autodrain is available to suit G1/2 units only.

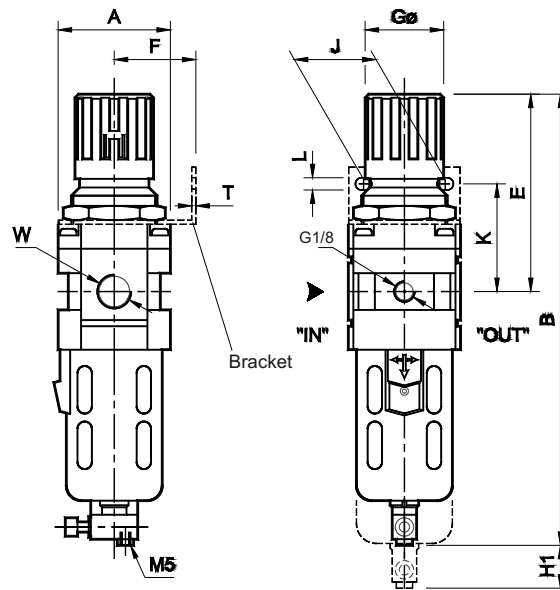
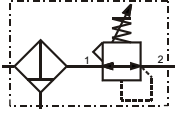
Add suffix CAD to part number.



## Dimensions

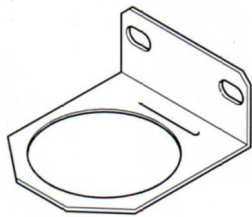
units mm

### FRC Assembly



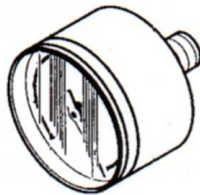
Part number	W	A	B	E	F	G	J	K	L	T	H1
FRC1361	G1/4	40	170	88	30	28	28	45	5.5	2	50
FRC1462	G3/8	55	218	94	40	40	40	53	6.5	2	55
FRC1563	G1/2	70	278	124	50	51	55	62	8.5	2	80

### Individual Mounting Bracket



Mounting bracket part number	Port connections	To suit
J#A2C01	G1/4	FRC1361
J#A2C02	G3/8	FRC1462
J#A2C03	G1/2	FRC1563

### Pressure Gauge



Part number	Pressure range	Diameter mm	Gauge port
KG1	0 - 10 bar	40	G1/8

### Optional extras

		G1/4	G3/8	G1/2
		Part number	Part number	Part number
Filter elements	5 µm	J#582000	J#582026	J#582040
	25 µm	J#582001	J#582027	J#582041
	40 µm	J#582002	J#582025	J#582042
	50 µm	J#582003	J#582028	J#582043
	100 µm	J#582004	J#582029	J#582044
F&L bowls with 'O' rings		J#LA2000	J#LA2001	J#LA2002
Filter seal kits		J#SK2009	J#SK2010	J#SK2011
Main springs	0.2 to 2 bar	J#062025	J#062031	J#062061
	0.2 to 4 bar	J#062026	J#062032	J#062062
	0.5 to 7 bar	J#062027	J#062033	J#062063
	0.5 to 10 bar	J#062028	J#062030	J#062060