

Type L Series Lubricator

G1/4 G3/8 G1/2



Features

- ◆ Oil fog type
- ◆ Constant oil flow & very low pick-up pressure
- ◆ Can be filled under pressure
- ◆ High capacity metal reservoirs
- ◆ Simple 45° bowl removal

Description

These conventional lubricators can be used individually or in conjunction with combination air preparation units (FRLs).

Technical Specifications

Medium: Compressed air
 Temperature range: -10°C to 60°C
 Max input pressure: 10 bar

Materials

Body: Diecast aluminium
 Seals: Nitrile
 Bowl: Polycarbonate with steel bowl protector
 Adjustment knob: Ryton®-PPS
 Recommended oil: ISO VG32 (Servo System 32)

Part number	Port connections	Flow @ 6 bar p 0.3 bar l/min	Unit weight kg	Bowl capacity filter
L1361	G1/4	1350	0.185	20 ml
L1462	G3/8	3000	0.30	57 ml
L1563	G1/2	5650	0.56	152 ml

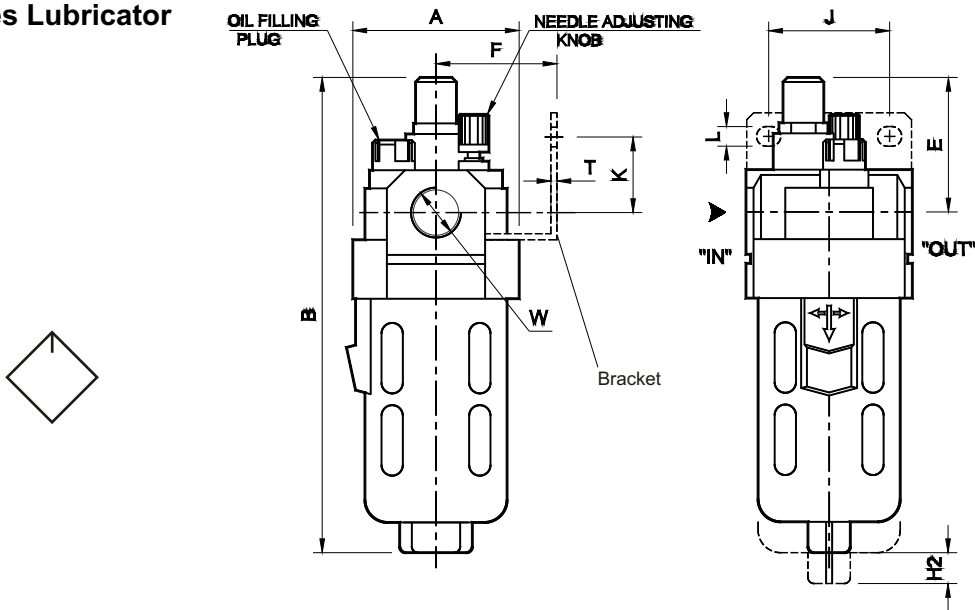
Ordering Information:
 By part number



Dimensions

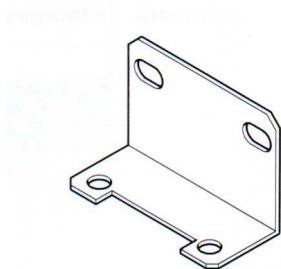
units mm

L Series Lubricator



Part number	W	A	B	E	K	F	J	L	T	H2
L1361	G1/4	40	135	42	15	30	28	5.5	2	35
L1462	G3/8	55	157	44	25	40	40	6.5	2	45
L1563	G1/2	70	190	46	25	50	55	8.5	2	45

Individual Mounting Bracket



Mounting bracket part number	Port connections	Lubricator part number
J#A2C31	G1/4	L1361
J#A2C32	G3/8	L1462
J#A2C33	G1/2	L1563

Optional extras

	G1/4 Part number	G3/8 Part number	G1/2 Part number
Lubricator bowl + 'O' rings	J#LA2000	J#LA2001	J#LA2002
Lubricator oil fill plug	J#LA2405	J#LA2406	J#LA2407