

Type FRCLM Series

Combined Filter-Regulator-Lubricator Modular Unit (Assembled)

G1/4 G3/8 G1/2



Features

- ◆ Manual filter drain fitted as standard
- ◆ Auto drain option
- ◆ Push-to-lock non rising regulator control knob
- ◆ Constant lubricator oil flow & very low pick-up pressure
- ◆ Rugged metal bowl guards

Technical Specifications

Medium:	Compressed air
Temperature range:	-10°C to 60°C
Pressure range	
Standard:	Input 0.5 to 10 bar Output 0.5 to 10 bar
Options:	0.2 to 2 bar 0.2 to 4 bar 0.5 to 7 bar
Filtration:	
Standard:	40 µm
Options:	5, 25, 50, 100 µm
Max input pressure:	10 bar
Gauge ports:	G1/8 (Two)

Ordering Information:

By part number adding suffix for filtration and pressure range

Example:

FRCLM1361 3 4

Filtration

- 1 - 5 µm
- 2 - 25 µm
- 3 - 40 µm (std)
- 4 - 50 µm
- 5 - 100 µm

Pressure range

- 1 - 0.2 to 2 bar
- 2 - 0.2 to 4 bar
- 3 - 0.5 to 7 bar (std)
- 4 - 0.5 to 10 bar

Part number	Port connections	Flow @ 7 bar p 1 bar l/min	Unit weight kg	Bowl capacities	
				Lube	Filter
FRCLM1361	G1/4	500	0.63	20 ml	9 ml
FRCLM1462	G3/8	1250	1.15	57 ml	32 ml
FRCLM1563	G1/2	2800	2.27	152 ml	44 ml

Pressure gauge should be ordered separately

Description

These fully assembled units comprise a conventional combined filter- regulator and lubricator (FRL) in modular configuration.

Materials

Body:	Diecast aluminium
Seals:	Nitrile
Filter/Lubricator bowl:	Polycarbonate with steel bowl protectors
Filter element:	Sintered bronze
Recommended oil:	ISO VG32 (ServoSystem 32)
Control knob:	Ryton®-PPS
Control knob housing:	Ryton®-PPS
Manual drain:	Ryton®-PPS
Diaphragm:	Nitrile

Internal springs and outer indicator rings are colour coded to indicate maximum output pressure:

2 bar	Green
4 bar	Blue
7 bar (standard)	Red
10 bar	Grey

Optional extras

External autodrain are available to suit units, G1/4, G3/8, G1/2.

Add suffix EAD to part number.

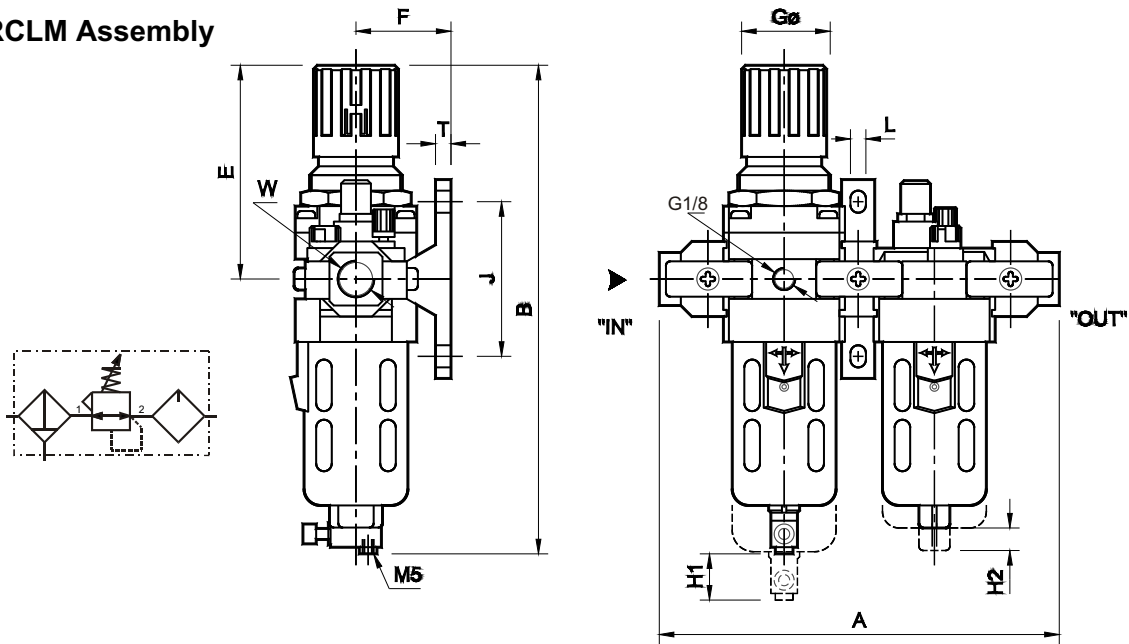
An internal autodrain is available to suit G1/2 units only.



Dimensions

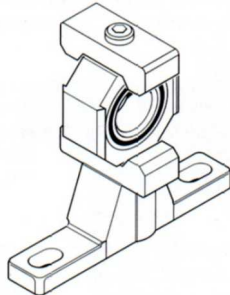
units mm

FRCLM Assembly



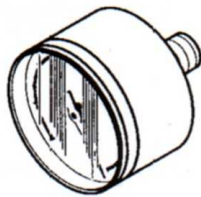
Part number	W	A	B	E	F	G	J	L	T	H1	H2
FRCLM1361	G1/4	146	170	68	35	28	50	7	7	50	35
FRCLM1462	G3/8	182	218	94	45	40	70	7	7	55	45
FRCLM1563	G1/2	220	278	124	55	51	90	9	9	80	45

Individual Mounting Bracket



Mounting bracket part number	Port connections	To suit
J#A2W01	G1/4	FRCLM1361
J#A2W02	G3/8	FRCLM1462
J#A2W03	G1/2	FRCLM1563

Pressure Gauge



Part number	Pressure range	Diameter mm	Gauge port
KG1	0 - 10 bar	40	G1/8

Optional extras

		G1/4 Part number	G3/8 Part number	G1/2 Part number
Filter elements	5 µm	J#582000	J#582026	J#582040
	25 µm	J#582001	J#582027	J#582041
	40 µm	J#582002	J#582025	J#582042
	50 µm	J#582003	J#582028	J#582043
	100 µm	J#582004	J#582029	J#582044
F&L bowls with 'O' rings		J#LA2000	J#LA2001	J#LA2002
Filter seal kits		J#SK2009	J#SK2010	J#SK2011
Main springs	0.2 to 2 bar	J#062025	J#062031	J#062061
	0.2 to 4 bar	J#062026	J#062032	J#062062
	0.5 to 7 bar	J#062027	J#062033	J#062063
	0.5 to 10 bar	J#062028	J#062030	J#062060
	Lubricator oil fill plug		J#LA2405	J#LA2406
FRCLM assy kits		J#SK2015	J#SK2016	J#SK2017

