

Type R Series Regulator

G1/4 G3/8 G1/2



Features

- ◆ Push-to-lock non rising control knob
- ◆ Consistent pressure setting
- ◆ Two gauge ports for versatile unit location
- ◆ Complete with neck-mounting ring

Description

These conventional pressure regulators can be used individually or in conjunction with combination air preparation units (FRLs).

Technical Specifications

Medium: Compressed air
 Temperature range: -10°C to 60°C
 Pressure range
 Standard: Input 0.5 to 15 bar
 Output 0.5 to 7 bar
 Options: 0.2 to 2 bar
 0.2 to 4 bar
 0.5 to 10 bar
 Max input pressure: 15 bar
 Gauge ports: G1/8 (Two)

Materials

Body: Diecast aluminium
 Seals: Nitrile
 Control knob: Ryton®-PPS
 Control knob housing: Ryton®-PPS
 Diaphragm: Nitrile

Ordering Information:

By part number adding suffix for pressure range

Example:

R1361 4
 1 0.2 to 2 bar
 2 0.2 to 4 bar
 3 0.5 to 7 bar (standard)
 4 0.5 to 10 bar

Part number	Port connections	Flow @ 7 bar p 0.3 bar l/min	Weight kg
R1361	G1/4	600	0.15
R1462	G3/8	2500	0.40
R1563	G1/2	4000	0.90

Pressure gauge should be ordered separately

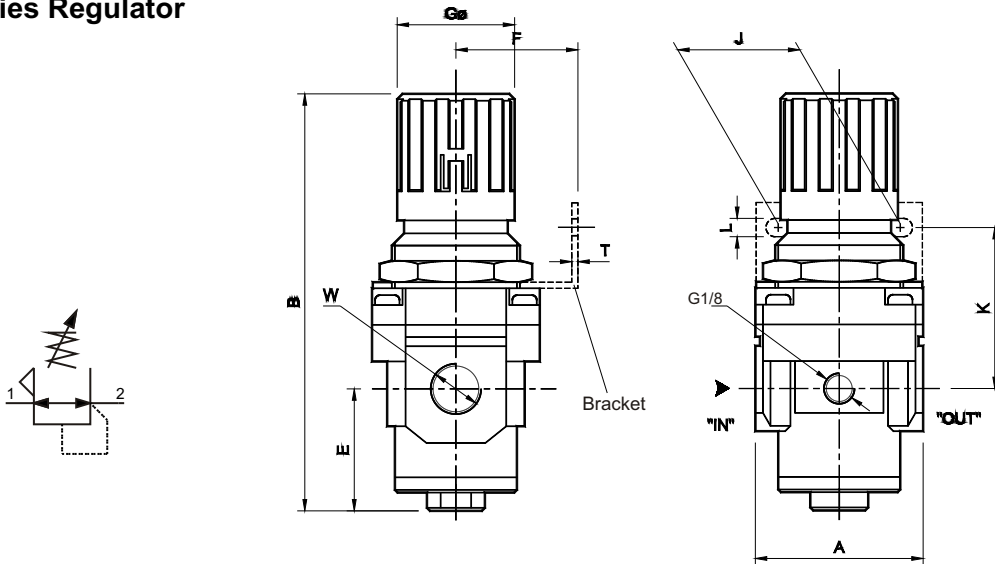
Internal springs and outer indicator rings are colour coded to indicate maximum output pressure:

2 bar	Green
4 bar	Blue
7 bar (standard)	Red
10 bar	Grey

Dimensions

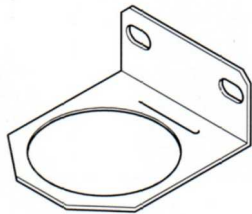
units mm

R Series Regulator



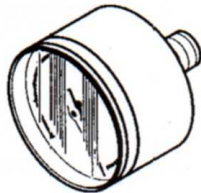
Part Number	W	A	B	E	F	G	J	K	L	T
R1361	G1/4	40	81	13	30	28	28	45	5.5	2
R1462	G3/8	55	135	40	40	40	40	53	6.5	2
R1563	G1/2	70	165	40	50	51	55	62	8.5	2

Individual Mounting Bracket



Mounting bracket part number	Port connections	Regulator part number
J#A2C01	G1/4	R1361
J#A2C02	G3/8	R1462
J#A2C03	G1/2	R1563

Pressure Gauge



Part number	Pressure range	Diameter mm	Gauge thread
KG1	0 - 10 bar	40	G1/8

Optional extras

Main springs	G1/4	G3/8	G1/2
	Part number	Part number	Part number
0.2 to 2 bar	J#062025	J#062031	J#062061
0.2 to 4 bar	J#062026	J#062032	J#062062
0.5 to 7 bar	J#062027	J#062033	J#062063
0.5 to 10 bar	J#062028	J#062030	J#062060