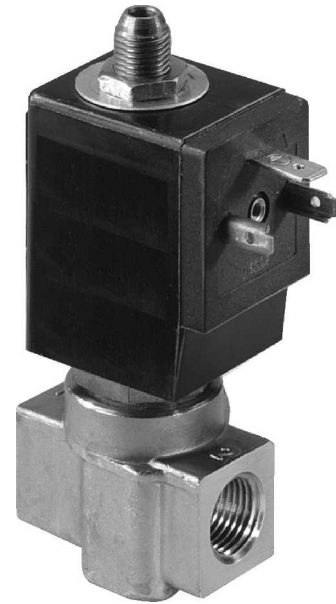


Type 72 # Series

Direct Operating Solenoid Valves

G1/8, G1/4
DIN ISO 228

3/2 NC
3/2 NO
3/2 Universal



Features

- ◆ Body ported connections
- ◆ Suitable for air, neutral gases and liquids
- ◆ For special products consult factory

Materials

Body: Brass
Plunger: Brass
Spring: Stainless Steel
Seals: Viton®

Technical Specifications

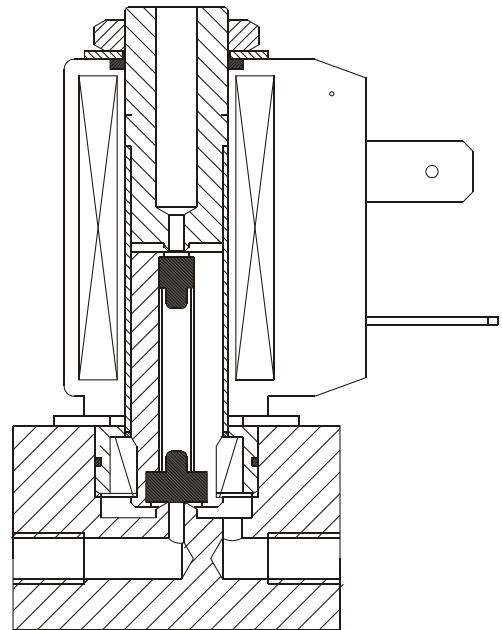
Media: Air, neutral gases, water, light oil (22ms/S)
Function: 3/2 NC - normally closed
3/2 NO - normally open
Operation: Direct acting
Port connections: G1/8, G1/4
Ambient temperature: to +35°C max
Fluid temperature: -10°C to +80°C max

Electrical Data

Voltage variants: DC 12, 24, 110, 196V
AC 12, 24, 42, 110, 230V
Voltage tolerance: +5% / -10%
Frequency: 50/60Hz
Duty cycle: 100% ED

Description

The electromagnetic force produced in the coil of this direct acting valve is sufficient to lift the sealing/valve disk off the orifice. The pressure and flow rate of this type of valve depends on the orifice size and the electrical consumption of the coil.



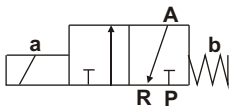
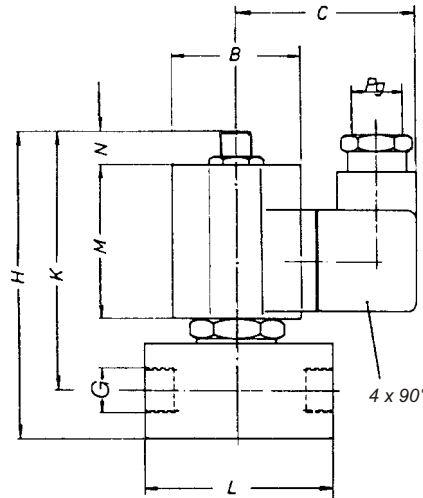
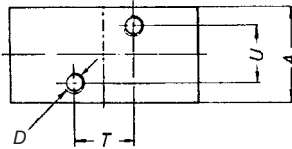
Ordering Information:
By part number + Voltage



Dimensions

units mm

Type 72 # Series



| Solenoid Valve type | .182 A723 | .182 A724 | A723 | .032/.012/.147/.012-NO A724 | A725 | A726 | .012-UN A723 | .012-UN A724 | .012-UN A725 | .012-UN A726 |
|---------------------|-----------|-----------|---------|-----------------------------|---------|---------|--------------|--------------|--------------|--------------|
| | G1/8 | G1/4 | G1/8 | G1/4 | G3/8 | G1/2 | G1/8 | G1/4 | G3/8 | G1/2 |
| A | 15 | 20 | 25 | 25 | 30 | 30 | 25 | 25 | 30 | 30 |
| B | 30 x 30 | 30 x 30 | 35 x 32 | 35 x 32 | 35 x 32 | 35 x 32 | 35 x 35 | 35 x 35 | 35 x 35 | 35 x 35 |
| C | 53 | 53 | 58 | 58 | 58 | 58 | 66 | 66 | 66 | 66 |
| D | - | - | M6 | M6 | M6 | M6 | M6 | M6 | M6 | M6 |
| H | 55 | 60 | 80 | 80 | 85 | 90 | 95 | 95 | 100 | 105 |
| K | 47.5 | 52.5 | 67.5 | 67.5 | 70 | 70 | 82.5 | 82.5 | 85 | 90 |
| L | 32 | 40 | 40 | 50 | 50 | 60 | 40 | 50 | 50 | 60 |
| M | 30 | 30 | 40 | 40 | 40 | 40 | 50 | 50 | 50 | 50 |
| N | 5 | 5 | 10 | 10 | 10 | 10 | 10 | 10 | 10 | 10 |
| T | - | - | 15.5 | 15.5 | 15.5 | 15.5 | 15.5 | 15.5 | 15.5 | 15.5 |
| U | - | - | 15.5 | 15.5 | 15.5 | 15.5 | 15.5 | 15.5 | 15.5 | 15.5 |
| Pg | 11 | 11 | 11 | 11 | 11 | 11 | 11 | 11 | 11 | 11 |
| kg (weight) | 0.3 | 0.35 | 0.55 | 0.6 | 0.65 | 0.75 | 0.55 | 0.8 | 0.65 | 0.75 |

NO = normally open in non energised position UN = NO/NC (Normally open/Normally closed)

Valve Selection Table

| Part Number | Port connection Thread | Orifice Ø mm | Flow Kv m³/h | Operating pressure min bar max bar | | Body | Seal | NC | NO | U |
|------------------|------------------------|--------------|--------------|------------------------------------|----|-------|--------|----|----|---|
| 7230/1002/.182 | G1/8 | 1.0 | 0.06 | 0 | 10 | Brass | Viton® | ● | - | - |
| 7231/1002/.182* | G1/8 | 1.5 | 0.09 | 0 | 8 | Brass | Viton® | ● | - | - |
| 7230/1002/.012 | G1/8 | 1.0 | 0.06 | 0 | 90 | Brass | Viton® | ● | - | - |
| 7230/1002/.012NO | G1/8 | 2.0 | 0.13 | 0 | 11 | Brass | Viton® | - | ● | - |
| 7230/1002/.012UN | G1/8 | 2.0 | 0.13 | 0 | 7 | Brass | Viton® | - | - | ● |
| 7240/1002/.182 | G1/4 | 1.0 | 0.06 | 0 | 10 | Brass | Viton® | ● | - | - |
| 7241/1002/.182 | G1/4 | 1.5 | 0.09 | 0 | 8 | Brass | Viton® | ● | - | - |
| 7240/1002/.012 | G1/4 | 1.0 | 0.06 | 0 | 90 | Brass | Viton® | ● | - | - |
| 7240/1002/.012NO | G1/4 | 2.0 | 0.13 | 0 | 11 | Brass | Viton® | - | ● | - |
| 7240/1002/.012UN | G1/4 | 2.0 | 0.13 | 0 | 7 | Brass | Viton® | - | - | ● |

NC = Normally closed only NO = Normally open only U = Normally closed/open (Universal)

Type 7231/1002.182* + volts = G1/8 pilot valve for Type 63 Series piston valve

