

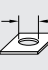


Captive® Einpress-Gewindebuchsen für Metalle

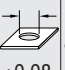
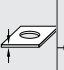
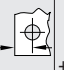
offene Ausführung

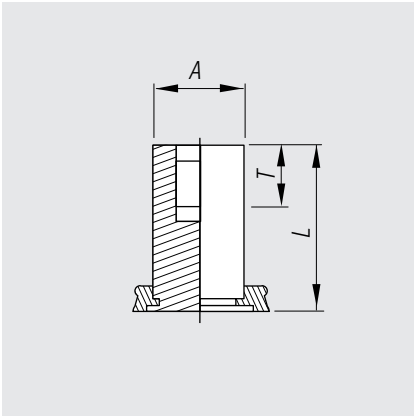
Serie CFSO: Stahl, verzinkt
Serie CFSOS: Edelstahl
Serie CFSOA: Aluminium

geeignet für Blechhärten

Serie CFSO: bis HRB 80
Serie CFSOS: bis HRB 70
Serie CFSOA: bis HRB 50

| Ge- winde | Länge L +0,05 -0,13 mm |  +0,08 -0,00 mm |  Min. mm |  Min. mm | A +0,00 -0,13 mm | SW Nom. mm | C mm | D ±0,4 mm | Bezeichnung | Art.-Nr. | Bezeichnung | Art.-Nr. | Bezeichnung | Art.-Nr. |
|--------------|------------------------------------|---|---|---|---------------------------|------------------|---------------|-----------------|----------------|----------------|----------------|----------------|----------------|----------|
| | | | | | | | | | Stahl | | Edelstahl | | Aluminium | |
| M 3 | 3 | 4,2 | 1,0 | 6,0 | 4,19 | 4,8 | 3,2 | 0 | CFSO M3-3 | | CFSOS M3-3 | | CFSOA M3-3 | |
| | 4 | | | | | | | | CFSO M3-4 | 358 331 | CFSOS M3-4 | | CFSOA M3-4 | |
| | 6 | | | | | | | | CFSO M3-6 | 358 332 | CFSOS M3-6 | 358 382 | CFSOA M3-6 | |
| | 8 | | | | | | | | CFSO M3-8 | 358 333 | CFSOS M3-8 | 358 383 | CFSOA M3-8 | |
| | 10 | | | | | | | | CFSO M3-10 | 358 334 | CFSOS M3-10 | 358 385 | CFSOA M3-10 | |
| | 12 | | | | | | | | CFSO M3-12 | 358 335 | CFSOS M3-12 | | CFSOA M3-12 | |
| | 14 | | | | | | | | CFSO M3-14 | 358 336 | CFSOS M3-14 | | CFSOA M3-14 | |
| M 3 | 3 | 5,4 | 1,0 | 7,0 | 5,38 | 6,4 | 3,2 | 0 | CFSO3,5 M3-3 | | CFSOS3,5 M3-3 | | CFSOA3,5 M3-3 | |
| | 4 | | | | | | | | CFSO3,5 M3-4 | 358 341 | CFSOS3,5 M3-4 | | CFSOA3,5 M3-4 | |
| | 5 | | | | | | | | CFSO3,5 M3-5 | 358 342 | CFSOS3,5 M3-5 | | CFSOA3,5 M3-5 | |
| | 6 | | | | | | | | CFSO3,5 M3-6 | 358 343 | CFSOS3,5 M3-6 | 358 391 | CFSOA3,5 M3-6 | |
| | 8 | | | | | | | | CFSO3,5 M3-8 | 358 344 | CFSOS3,5 M3-8 | 358 390 | CFSOA3,5 M3-8 | |
| | 9 | | | | | | | | CFSO3,5 M3-9 | 358 350 | CFSOS3,5 M3-9 | | CFSOA3,5 M3-9 | |
| | 10 | | | | | | | | CFSO3,5 M3-10 | 358 345 | CFSOS3,5 M3-10 | 358 393 | CFSOA3,5 M3-10 | |
| | 12 | | | | | | | CFSO3,5 M3-12 | 358 346 | CFSOS3,5 M3-12 | 358 394 | CFSOA3,5 M3-12 | | |
| | 14 | | | | | | | CFSO3,5 M3-14 | 358 347 | CFSOS3,5 M3-14 | | CFSOA3,5 M3-14 | | |
| | 16 | | | | | | | CFSO3,5 M3-16 | | CFSOS3,5 M3-16 | | CFSOA3,5 M3-16 | | |
| | 18 | | | | | | | CFSO3,5 M3-18 | 358 348 | CFSOS3,5 M3-18 | | CFSOA3,5 M3-18 | | |
| | 22 | | | | | | | CFSO3,5 M3-22 | 358 349 | | | | | |
| | M 3,5 | | | | | | | 3 | 5,4 | 1,0 | 7,0 | 5,38 | 6,4 | 4 |
| 4 | | CFSO M3,5-4 | | CFSOS M3,5-4 | | CFSOA M3,5-4 | | | | | | | | |
| 6 | | CFSO M3,5-6 | | CFSOS M3,5-6 | | CFSOA M3,5-6 | | | | | | | | |
| 8 | | 4,0 | CFSO M3,5-8 | | CFSOS M3,5-8 | | CFSOA M3,5-8 | | | | | | | |
| 10 | | | CFSO M3,5-10 | | CFSOS M3,5-10 | | CFSOA M3,5-10 | | | | | | | |
| 12 | | | CFSO M3,5-12 | | CFSOS M3,5-12 | | CFSOA M3,5-12 | | | | | | | |
| 14 | | | CFSO M3,5-14 | | CFSOS M3,5-14 | | CFSOA M3,5-14 | | | | | | | |
| 16 | | | CFSO M3,5-16 | | CFSOS M3,5-16 | | CFSOA M3,5-16 | | | | | | | |
| 18 | | | CFSO M3,5-18 | | CFSOS M3,5-18 | | CFSOA M3,5-18 | | | | | | | |

| Gewinde | Länge L +0,05 -0,13 mm |  +0,08 -0,00 mm |  Min. mm |  Min. mm | A +0,00 -0,13 mm | SW (Nom.) mm | C mm | D ±0,4 mm | Bezeichnung | Art.-Nr. | Bezeichnung | Art.-Nr. | Bezeichnung | Art.-Nr. |
|---------|------------------------------------|---|---|---|---------------------------|--------------------|---------|-----------------|----------------|----------------|-------------|----------------|-------------|----------|
| | | | | | | | | | Stahl | | Edelstahl | | Aluminium | |
| M 4 | 3 | 7,2 | 1,3 | 8,0 | 7,11 | 7,9 | 4,8 | 0 | CFSO M4-3 | 358 359 | CFSOS M4-3 | | CFSOA M4-3 | |
| | 4 | | | | | | | | CFSO M4-4 | 358 351 | CFSOS M4-4 | | CFSOA M4-4 | |
| | 6 | | | | | | | | CFSO M4-6 | 358 352 | CFSOS M4-6 | 358 384 | CFSOA M4-6 | |
| | 8 | | | | | | | | CFSO M4-8 | 358 353 | CFSOS M4-8 | 358 389 | CFSOA M4-8 | |
| | 10 | | | | | | | CFSO M4-10 | 358 354 | CFSOS M4-10 | | CFSOA M4-10 | | |
| | 12 | | | | | | | CFSO M4-12 | 358 355 | CFSOS M4-12 | | CFSOA M4-12 | | |
| | 14 | | | | | | | CFSO M4-14 | | CFSOS M4-14 | | CFSOA M4-14 | | |
| | 16 | | | | | | | CFSO M4-16 | | CFSOS M4-16 | | CFSOA M4-16 | | |
| | 18 | | | | | | | CFSO M4-18 | 358 358 | CFSOS M4-18 | | CFSOA M4-18 | | |
| | 20 | | | | | | | CFSO M4-20 | | CFSOS M4-20 | | CFSOA M4-20 | | |
| | 22 | | | | | | | CFSO M4-22 | 358 360 | CFSOS M4-22 | | CFSOA M4-22 | | |
| | M 5 | | | | | | | 3 | 7,2 | 1,3 | 8,0 | 7,11 | 7,9 | 5,2 |
| 4 | | CFSO M5-4 | 358 362 | CFSOS M5-4 | | CFSOA M5-4 | | | | | | | | |
| 6 | | CFSO M5-6 | | CFSOS M5-6 | 358 388 | CFSOA M5-6 | | | | | | | | |
| 8 | | CFSO M5-8 | | CFSOS M5-8 | | CFSOA M5-8 | | | | | | | | |
| 10 | | CFSO M5-10 | 358 365 | CFSOS M5-10 | | CFSOA M5-10 | | | | | | | | |
| 12 | | CFSO M5-12 | | CFSOS M5-12 | | CFSOA M5-12 | | | | | | | | |
| 14 | | CFSO M5-14 | | CFSOS M5-14 | | CFSOA M5-14 | | | | | | | | |
| 16 | | CFSO M5-16 | | CFSOS M5-16 | | CFSOA M5-16 | | | | | | | | |
| 18 | | CFSO M5-18 | | CFSOS M5-18 | | CFSOA M5-18 | | | | | | | | |
| 20 | | CFSO M5-20 | | CFSOS M5-20 | 358 386 | CFSOA M5-20 | | | | | | | | |
| 22 | | CFSO M5-22 | | CFSOS M5-22 | | CFSOA M5-22 | | | | | | | | |



Captive® Einpress-Gewindebuchsen für Metalle

geschlossene Ausführung

Serie CFBSO: Stahl, verzinkt
Serie CFBSOS: Edelstahl
Serie CFBSOA: Aluminium

geeignet für Blechhärten

Serie CFBSO: bis HRB 80
Serie CFBSOS: bis HRB 70
Serie CFBSOA: bis HRB 50

| Ge- winde | Länge L +0,05 -0,13 mm | | | | A +0,00 -0,13 mm | SW (Nom.) mm | T ¹ ±0,4 mm | Bezeichnung | | Bezeichnung | | Bezeichnung | | |
|--------------|------------------------------------|-----|-----------------|-----|---------------------------|--------------------|------------------------------|----------------|-----------------|-----------------|-----------------|-----------------|----------------|--|
| | | | | | | | | Stahl | Art.-Nr. | Edelstahl | Art.-Nr. | Aluminium | Art.-Nr. | |
| M 3 | 6 | 4,2 | 1,0 | 6,0 | 4,19 | 4,8 | 3,2 | CFBSO M3-6 | 358 402 | CFBSOS M3-6 | | CFBSOA M3-6 | | |
| | 8 | | | | | | 4,0 | CFBSO M3-8 | 358 403 | CFBSOS M3-8 | 358 433 | CFBSOA M3-8 | | |
| | 10 | | | | | | CFBSO M3-10 | 358 404 | CFBSOS M3-10 | 358 434 | CFBSOA M3-10 | | | |
| | 12 | | | | | | 5,0 | CFBSO M3-12 | | CFBSOS M3-12 | 358 435 | CFBSOA M3-12 | | |
| | 14 | | | | | | 6,5 | CFBSO M3-14 | 358 406 | CFBSOS M3-14 | 358 436 | CFBSOA M3-14 | | |
| | 16 | | | | | | CFBSO M3-16 | 358 407 | CFBSOS M3-16 | | CFBSOA M3-16 | | | |
| | 18 | | | | | | 9,5 | CFBSO M3-18 | 358 408 | CFBSOS M3-18 | 358 438 | CFBSOA M3-18 | | |
| | 22 | | | | | | CFBSO M3-22 | 358 410 | CFBSOS M3-22 | | CFBSOA M3-22 | | | |
| | 25 | | | | | | CFBSO M3-25 | | CFBSOS M3-25 | 358 437 | CFBSOA M3-25 | | | |
| M 3 | 6 | 5,4 | 1,0 | 7,0 | 5,38 | 6,4 | 3,2 | CFBSO3,5 M3-6 | 358 412 | CFBSOS3,5 M3-6 | | CFBSOA3,5 M3-6 | | |
| | 8 | | | | | | 4,0 | CFBSO3,5 M3-8 | 358 413 | CFBSOS3,5 M3-8 | 358 439 | CFBSOA3,5 M3-8 | | |
| | 10 | | | | | | CFBSO3,5 M3-10 | 358 414 | CFBSOS3,5 M3-10 | 358 440 | CFBSOA3,5 M3-10 | | | |
| | 12 | | | | | | 5,0 | CFBSO3,5 M3-12 | 358 415 | CFBSOS3,5 M3-12 | 358 441 | CFBSOA3,5 M3-12 | | |
| | 14 | | | | | | 6,5 | CFBSO3,5 M3-14 | 358 416 | CFBSOS3,5 M3-14 | 358 442 | CFBSOA3,5 M3-14 | | |
| | 16 | | | | | | CFBSO3,5 M3-16 | 358 417 | CFBSOS3,5 M3-16 | | CFBSOA3,5 M3-16 | | | |
| | 18 | | | | | | 9,5 | CFBSO3,5 M3-18 | 358 418 | CFBSOS3,5 M3-18 | | CFBSOA3,5 M3-18 | | |
| | 20 | | | | | | CFBSO3,5 M3-20 | | CFBSOS3,5 M3-20 | | CFBSOA3,5 M3-20 | | | |
| | 22 | | | | | | CFBSO3,5 M3-22 | 358 420 | CFBSOS3,5 M3-22 | | CFBSOA3,5 M3-22 | | | |
| 25 | CFBSO3,5 M3-25 | | CFBSOS3,5 M3-25 | | CFBSOA3,5 M3-25 | | | | | | | | | |
| M 3,5 | 8 | 5,4 | 1,0 | 7,0 | 5,38 | 6,4 | 4,0 | CFBSO M3,5-8 | | CFBSOS M3,5-8 | | CFBSOA M3,5-8 | | |
| | 10 | | | | | | | CFBSO M3,5-10 | | CFBSOS M3,5-10 | | CFBSOA M3,5-10 | | |
| | 12 | | | | | | | 5,0 | CFBSO M3,5-12 | | CFBSOS M3,5-12 | | CFBSOA M3,5-12 | |
| | 14 | | | | | | | 6,5 | CFBSO M3,5-14 | | CFBSOS M3,5-14 | | CFBSOA M3,5-14 | |
| | 16 | | | | | | 9,5 | CFBSO M3,5-16 | | CFBSOS M3,5-16 | | CFBSOA M3,5-16 | | |
| | 18 | | | | | | | CFBSO M3,5-18 | | CFBSOS M3,5-18 | | CFBSOA M3,5-18 | | |
| | 20 | | | | | | | CFBSO M3,5-20 | | CFBSOS M3,5-20 | | CFBSOA M3,5-20 | | |
| | 22 | | | | | | | CFBSO M3,5-22 | | CFBSOS M3,5-22 | | CFBSOA M3,5-22 | | |
| 25 | CFBSO M3,5-25 | | CFBSOS M3,5-25 | | CFBSOA M3,5-25 | | | | | | | | | |

¹ T = Gewindelänge

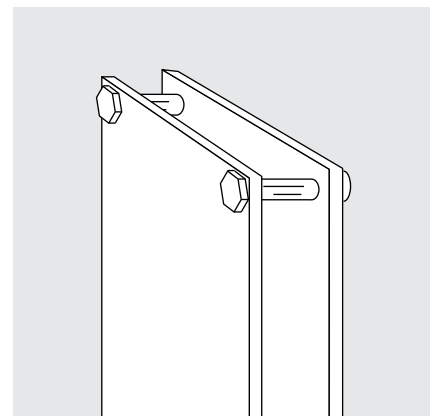
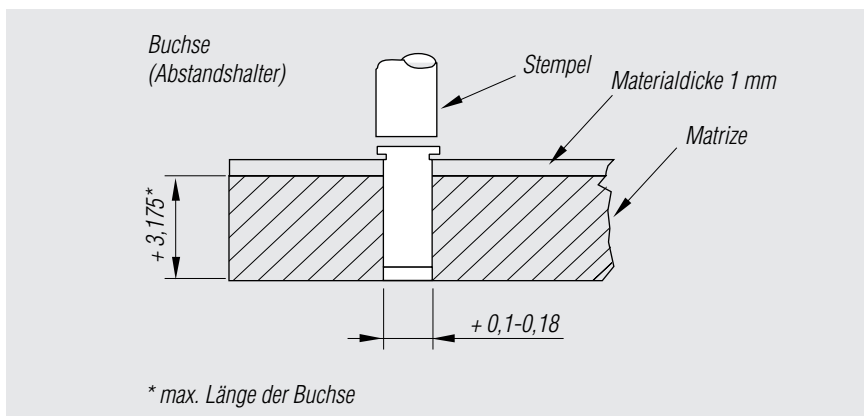
| Gewinde | Länge L +0,05 -0,13 mm | | A +0,00 -0,13 mm | SW (Nom.) mm | T ¹ ±0,4 mm | Bezeichnung | | Art.-Nr. | | Bezeichnung | | Art.-Nr. | |
|---------|------------------------------------|-----|---------------------------|--------------------|------------------------------|-------------|-----|-------------|----------------|--------------|----------------|--------------|--|
| | | | | | | Stahl | | Edelstahl | | Aluminium | | | |
| M 4 | 8 | 7,2 | 1,3 | 8,0 | 7,11 | 7,9 | 4,0 | CFBSO M4-8 | 358 423 | CFBSOS M4-8 | | CFBSOA M4-8 | |
| | 10 | | | | | | | CFBSO M4-10 | 358 424 | CFBSOS M4-10 | 358 474 | CFBSOA M4-10 | |
| | 12 | | | | | | 5,0 | CFBSO M4-12 | 358 425 | CFBSOS M4-12 | 358 475 | CFBSOA M4-12 | |
| | 14 | | | | | | | CFBSO M4-14 | 358 426 | CFBSOS M4-14 | 358 476 | CFBSOA M4-14 | |
| | 16 | | | | | | 6,5 | CFBSO M4-16 | | CFBSOS M4-16 | 358 477 | CFBSOA M4-16 | |
| | 18 | | | | | | | CFBSO M4-18 | | CFBSOS M4-18 | | CFBSOA M4-18 | |
| | 20 | | | | | | | CFBSO M4-20 | | CFBSOS M4-20 | | CFBSOA M4-20 | |
| | 22 | | | | | | 9,5 | CFBSO M4-22 | | CFBSOS M4-22 | 358 454 | CFBSOA M4-22 | |
| | 25 | | | | | | | CFBSO M4-25 | | CFBSOS M4-25 | | CFBSOA M4-25 | |
| M 5 | 8 | 7,2 | 1,3 | 8,0 | 7,11 | 7,9 | 4,0 | CFBSO M5-8 | | CFBSOS M5-8 | | CFBSOA M5-8 | |
| | 10 | | | | | | | CFBSO M5-10 | 358 444 | CFBSOS M5-10 | | CFBSOA M5-10 | |
| | 12 | | | | | | 5,0 | CFBSO M5-12 | | CFBSOS M5-12 | 358 484 | CFBSOA M5-12 | |
| | 14 | | | | | | | CFBSO M5-14 | | CFBSOS M5-14 | | CFBSOA M5-14 | |
| | 16 | | | | | | 6,5 | CFBSO M5-16 | | CFBSOS M5-16 | 358 486 | CFBSOA M5-16 | |
| | 18 | | | | | | | CFBSO M5-18 | | CFBSOS M5-18 | | CFBSOA M5-18 | |
| | 20 | | | | | | | CFBSO M5-20 | | CFBSOS M5-20 | | CFBSOA M5-20 | |
| | 22 | | | | | | 9,5 | CFBSO M5-22 | | CFBSOS M5-22 | | CFBSOA M5-22 | |
| | 25 | | | | | | | CFBSO M5-25 | | CFBSOS M5-25 | | CFBSOA M5-25 | |

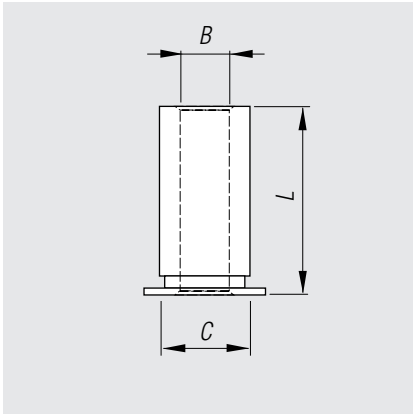
¹ Gewindelänge

Technische Daten

| Gewinde | Materialdicke mm | Einpressdruck kN | Ausdrückkraft N | Verdrehfestigkeit Nm | Durchdrückfestigkeit N | Anzugsmoment Max. Nm |
|---------|---------------------|---------------------|--------------------|-------------------------|---------------------------|-------------------------|
| M 3 | 1,0 | 6,7-8,9 | 710 | 1,2 | 780 | 0,3 |
| M 3,5 | 1,6 | 6,7-8,9 | 890 | 1,4 | 890 | 0,4 |
| M 4 | 1,6 | 6,7-8,9 | 1330 | 2,8 | 1330 | 0,5 |
| M 5 | 1,6 | 8,9-1,1 | 1780 | 5,1 | 2000 | 2,0 |

Richtwerte - die genauen Werte müssen am Original-Bauteil ermittelt werden





Captive® Einpressbuchsen für Metalle

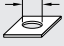

Serie CFSO: Stahl, verzinkt
 Serie CFSOS: Edelstahl
 Serie CFSOA: Aluminium

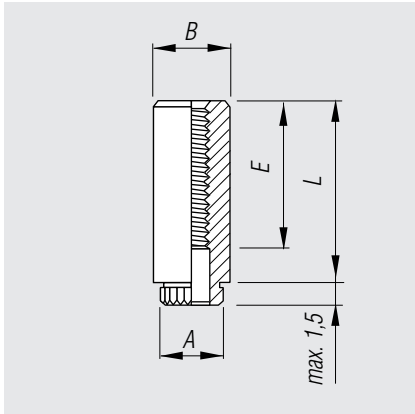
geeignet für Blechhärten

Serie CFSO: bis HRB 80
 Serie CFSOS: bis HRB 70
 Serie CFSOA: bis HRB 50

| Loch- σ B | Länge L | | | C | SW | Bezeichnung | Art.-Nr. | Bezeichnung | Art.-Nr. | Bezeichnung | Art.-Nr. |
|---------------------|----------------------|----------------------|------------|----------------------|----------------------|----------------|----------------------|---------------|----------|-------------|----------|
| | | | | | | Stahl | | Edelstahl | | Aluminium | |
| 3,1 mm | +0,05 -0,13 mm | +0,08 -0,00 mm | Min. mm | +0,00 -0,13 mm | 4,8 | | | | | | |
| | 3 | 4,2 | 6,0 | 4,19 | | CFSO 43,1-3 | CFSOS 43,1-3 | CFSOA 43,1-3 | | | |
| | 4 | | | | | CFSO 43,1-4 | CFSOS 43,1-4 | CFSOA 43,1-4 | | | |
| | 6 | | | | | CFSO 43,1-6 | CFSOS 43,1-6 | CFSOA 43,1-6 | | | |
| | 8 | | | | | CFSO 43,1-8 | CFSOS 43,1-8 | CFSOA 43,1-8 | | | |
| | 10 | | | | | CFSO 43,1-10 | CFSOS 43,1-10 | CFSOA 43,1-10 | | | |
| | 12 | | | | | CFSO 43,1-12 | CFSOS 43,1-12 | CFSOA 43,1-12 | | | |
| | 14 | | | | | CFSO 43,1-14 | CFSOS 43,1-14 | CFSOA 43,1-14 | | | |
| | 16 | | | | | CFSO 43,1-16 | CFSOS 43,1-16 | CFSOA 43,1-16 | | | |
| | 18 | | | | | CFSO 43,1-18 | CFSOS 43,1-18 | CFSOA 43,1-18 | | | |
| | 20 | | | | | CFSO 43,1-20 | CFSOS 43,1-20 | CFSOA 43,1-20 | | | |
| 3,1 mm | +0,05 -0,13 mm | | | | +0,08 -0,00 mm | Min. mm | +0,00 -0,13 mm | 6,4 | | | |
| | 3 | 5,4 | 6,8 | 5,38 | CFSO 63,1-3 | CFSOS 63,1-3 | CFSOA 63,1-3 | | | | |
| | 4 | | | | CFSO 63,1-4 | CFSOS 63,1-4 | CFSOA 63,1-4 | | | | |
| | 6 | | | | CFSO 63,1-6 | CFSOS 63,1-6 | CFSOA 63,1-6 | | | | |
| | 8 | | | | CFSO 63,1-8 | CFSOS 63,1-8 | CFSOA 63,1-8 | | | | |
| | 10 | | | | CFSO 63,1-10 | CFSOS 63,1-10 | CFSOA 63,1-10 | | | | |
| | 12 | | | | CFSO 63,1-12 | CFSOS 63,1-12 | CFSOA 63,1-12 | | | | |
| | 14 | | | | CFSO 63,1-14 | CFSOS 63,1-14 | CFSOA 63,1-14 | | | | |
| | 16 | | | | CFSO 63,1-16 | CFSOS 63,1-16 | CFSOA 63,1-16 | | | | |
| | 18 | | | | CFSO 63,1-18 | CFSOS 63,1-18 | CFSOA 63,1-18 | | | | |
| | 20 | | | | CFSO 63,1-20 | CFSOS 63,1-20 | CFSOA 63,1-20 | | | | |
| 3,6 mm | +0,05 -0,13 mm | | | | +0,08 -0,00 mm | Min. mm | +0,00 -0,13 mm | 6,4 | | | |
| | 3 | 5,4 | 6,8 | 5,38 | CFSO 63,6-3 | CFSOS 63,6-3 | CFSOA 63,6 -3 | | | | |
| | 4 | | | | CFSO 63,6-4 | CFSOS 63,6-4 | CFSOA 63,6 -4 | | | | |
| | 6 | | | | CFSO 63,6-6 | CFSOS 63,6-6 | CFSOA 63,6 -6 | | | | |
| | 8 | | | | CFSO 63,6-8 | CFSOS 63,6-8 | CFSOA 63,6 -8 | | | | |
| | 10 | | | | CFSO 63,6-10 | CFSOS 63,6-10 | CFSOA 63,6 -10 | | | | |
| | 12 | | | | CFSO 63,6-12 | 358 966 | CFSOA 63,6-12 | | | | |
| | 14 | | | | CFSO 63,6-14 | CFSOS 63,6-14 | CFSOA 63,6 -14 | | | | |
| | 16 | | | | CFSO 63,6-16 | CFSOS 63,6-16 | CFSOA 63,6 -16 | | | | |
| | 18 | | | | CFSO 63,6-18 | CFSOS 63,6-18 | CFSOA 63,6 -18 | | | | |
| | 20 | | | | CFSO 63,6-20 | CFSOS 63,6-20 | CFSOA 63,6 -20 | | | | |

Zastopnik za Slovenijo:

| Loch- \varnothing B | Länge L |  |  | C | SW | Bezeichnung | | Art.-Nr. | | Bezeichnung | | Art.-Nr. | |
|--------------------------|----------------------|---|---|----------------------|-----|--------------|----------------|---------------|----------|---------------|----------|----------|--|
| | | | | | | Stahl | Edelstahl | Aluminium | Art.-Nr. | Art.-Nr. | Art.-Nr. | Art.-Nr. | |
| mm | +0,05 -0,13 mm | +0,08 -0,00 mm | Min. mm | +0,00 -0,13 mm | mm | | | | | | | | |
| 3,6 | 3 | 7,2 | 8,0 | 7,11 | 7,9 | CFSO 83,6-3 | | CFSOS 83,6-3 | | CFSOA 83,6-3 | | | |
| | 4 | | | | | CFSO 83,6-4 | | CFSOS 83,6-4 | | CFSOA 83,6-4 | | | |
| | 6 | | | | | CFSO 83,6-6 | | CFSOS 83,6-6 | | CFSOA 83,6-6 | | | |
| | 8 | | | | | CFSO 83,6-8 | | CFSOS 83,6-8 | | CFSOA 83,6-8 | | | |
| | 10 | | | | | CFSO 83,6-10 | | CFSOS 83,6-10 | | CFSOA 83,6-10 | | | |
| | 12 | | | | | CFSO 83,6-12 | | CFSOS 83,6-12 | | CFSOA 83,6-12 | | | |
| | 14 | | | | | CFSO 83,6-14 | | CFSOS 83,6-14 | | CFSOA 83,6-14 | | | |
| | 16 | | | | | CFSO 83,6-16 | | CFSOS 83,6-16 | | CFSOA 83,6-16 | | | |
| | 18 | | | | | CFSO 83,6-18 | | CFSOS 83,6-18 | | CFSOA 83,6-18 | | | |
| | 20 | | | | | CFSO 83,6-20 | | CFSOS 83,6-20 | | CFSOA 83,6-20 | | | |
| 4,1 | 3 | 7,2 | 8,0 | 7,11 | 7,9 | CFSO 84,1-3 | | CFSOS 84,1-3 | | CFSOA 84,1-3 | | | |
| | 4 | | | | | CFSO 84,1-4 | | CFSOS 84,1-4 | | CFSOA 84,1-4 | | | |
| | 6 | | | | | CFSO 84,1-6 | | CFSOS 84,1-6 | | CFSOA 84,1-6 | | | |
| | 8 | | | | | CFSO 84,1-8 | | CFSOS 84,1-8 | | CFSOA 84,1-8 | | | |
| | 10 | | | | | CFSO 84,1-10 | | CFSOS 84,1-10 | | CFSOA 84,1-10 | | | |
| | 12 | | | | | CFSO 84,1-12 | | CFSOS 84,1-12 | | CFSOA 84,1-12 | | | |
| | 14 | | | | | CFSO 84,1-14 | | CFSOS 84,1-14 | | CFSOA 84,1-14 | | | |
| | 16 | | | | | CFSO 84,1-16 | | CFSOS 84,1-16 | | CFSOA 84,1-16 | | | |
| | 18 | | | | | CFSO 84,1-18 | | CFSOS 84,1-18 | | CFSOA 84,1-18 | | | |
| | 20 | | | | | CFSO 84,1-20 | | CFSOS 84,1-20 | | CFSOA 84,1-20 | | | |
| 5,1 | 3 | 7,2 | 8,0 | 7,11 | 7,9 | CFSO 85,1-3 | | CFSOS 85,1-3 | | CFSOA 85,1-3 | | | |
| | 4 | | | | | CFSO 85,1-4 | 358 671 | CFSOS 85,1-4 | | CFSOA 85,1-4 | | | |
| | 6 | | | | | CFSO 85,1-6 | | CFSOS 85,1-6 | | CFSOA 85,1-6 | | | |
| | 8 | | | | | CFSO 85,1-8 | | CFSOS 85,1-8 | | CFSOA 85,1-8 | | | |
| | 10 | | | | | CFSO 85,1-10 | | CFSOS 85,1-10 | | CFSOA 85,1-10 | | | |
| | 12 | | | | | CFSO 85,1-12 | | CFSOS 85,1-12 | | CFSOA 85,1-12 | | | |
| | 14 | | | | | CFSO 85,1-14 | | CFSOS 85,1-14 | | CFSOA 85,1-14 | | | |
| | 16 | | | | | CFSO 85,1-16 | | CFSOS 85,1-16 | | CFSOA 85,1-16 | | | |
| | 18 | | | | | CFSO 85,1-18 | 358 678 | CFSOS 85,1-18 | | CFSOA 85,1-18 | | | |
| | 20 | | | | | CFSO 85,1-20 | | CFSOS 85,1-20 | | CFSOA 85,1-20 | | | |



Captive® Einpress-Buchsen für Kunststoffe

Printplatten, Fiberglas, Acryl
mit Gewinde

Serie CKFE: Stahl, elektrolytisch
verzinkt

Serie CKFSE: Edelstahl

| Gewinde | Länge L ±0,13 mm | A ±0,08 mm | B ±0,13 mm | E ±0,4 mm | +0,08 - 0,00 mm Min. mm | Bezeichnung | Art.-Nr. | Bezeichnung | Art.-Nr. | |
|---------|-------------------------------|----------------------|----------------------|---------------------|---|-------------|----------------|-------------|------------|--|
| | | | | | | Stahl | | Edelstahl | | |
| M 3 | 3 | 4,68 | 5,56 | 3 | 4,2 | 4,4 | CKFE M3-3 | | CKFSE M3-3 | |
| | 4 | | | CKFE M3-4 | | | | CKFSE M3-4 | | |
| | 6 | | | CKFE M3-6 | | | 358 657 | CKFSE M3-6 | | |
| | 8 | | | CKFE M3-8 | | | 358 658 | CKFSE M3-8 | | |
| | 10 | | | CKFE M3-10 | | | | CKFSE M3-10 | | |
| | 12 | | | CKFE M3-12 | | | | CKFSE M3-12 | | |
| | 14 | | | CKFE M3-14 | | | | CKFSE M3-14 | | |
| | 16 | | | CKFE M3-16 | | | | CKFSE M3-16 | | |

Technische Daten

| Gewinde | Einpressdruck | Ausdrückkraft | Verdrehfestigkeit |
|---------|---------------|---------------|-------------------|
| | kN | N | Nm |
| M 3 | 2,22 | 200 | 1,35 |

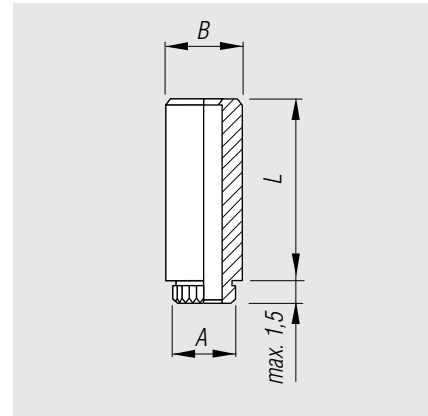
Richtwerte - die genauen Werte müssen am Original-Bauteil ermittelt werden

Captive® Einpress-Buchsen für Kunststoffe

Printplatten, Fiberglas, Acryl
ohne Gewinde

Serie CKFE: Stahl, elektrolytisch
verzinkt

Serie CKFSE: Edelstahl



| Buchsen \varnothing | Länge L | A | B | +0,08 -0,00 mm | Min. mm | Bezeichnung | Art.-Nr. | Bezeichnung | Art.-Nr. |
|-----------------------|------------|------|------|--------------------------|----------------|-------------|----------------|--------------|----------|
| | | | | | | Stahl | | Edelstahl | |
| 3,6 | 3 | 5,87 | 7,14 | 5,4 | 5,5 | CKFE 3,6-3 | | CKFSE 3,6-3 | |
| | 4 | | | | | CKFE 3,6-4 | 358 964 | CKFSE 3,6-4 | |
| | 6 | | | | | CKFE 3,6-6 | | CKFSE 3,6-6 | |
| | 8 | | | | | CKFE 3,6-8 | 358 968 | CKFSE 3,6-8 | |
| | 10 | | | | | CKFE 3,6-10 | | CKFSE 3,6-10 | |
| | 12 | | | | | CKFE 3,6-12 | | CKFSE 3,6-12 | |
| | 14 | | | | | CKFE 3,6-14 | 358 987 | CKFSE 3,6-14 | |
| | 16 | | | | | CKFE 3,6-16 | | CKFSE 3,6-16 | |
| 4,2 | 3 | 6,81 | 8,74 | 6,4 | 7,1 | CKFE 4,2-3 | | CKFSE 4,2-3 | |
| | 4 | | | | | CKFE 4,2-4 | | CKFSE 4,2-4 | |
| | 6 | | | | | CKFE 4,2-6 | | CKFSE 4,2-6 | |
| | 8 | | | | | CKFE 4,2-8 | | CKFSE 4,2-8 | |
| | 10 | | | | | CKFE 4,2-10 | | CKFSE 4,2-10 | |
| | 12 | | | | | CKFE 4,2-12 | | CKFSE 4,2-12 | |
| | 14 | | | | | CKFE 4,2-14 | | CKFSE 4,2-14 | |
| | 16 | | | | | CKFE 4,2-16 | | CKFSE 4,2-16 | |