

PUSH-ON FITTINGS

BRASS

PLUS

**GREAT GRIPPING SYSTEM
WITH THE LOCKING NUT**

SUITABLE FOR DIFFERENT FLUIDS

**EASY TO BE USED AND EXTREMELY
STRONG**

MECHANICAL RESISTANCE



p. 171 / **2500**



p. 172 / **2502**



p. 172 / **2503**



p. 173 / **2505**



p. 173 / **2510**



p. 174 / **2511**



p. 174 / **2512**



p. 174 / **2513**



p. 175 / **2515**



p. 175 / **2520**



p. 175 / **2530**



p. 175 / **2535**



p. 176 / **2540**



p. 176 / **2542**



p. 176 / **2543**



p. 177 / **2548**



p. 177 / **2550**



p. 177 / **2553**



p. 178 / **2555**



p. 178 / **2560**



p. 179 / **2565**



p. 179 / **2570**



p. 179 / **2575**



p. 179 / **2580**



p. 180 / **251V**



p. 180 / **252V**



p. 180 / **2585**



p. 180 / **2595**



p. 181 / **2630**



p. 181 / **2610**



p. 181 / **2612**



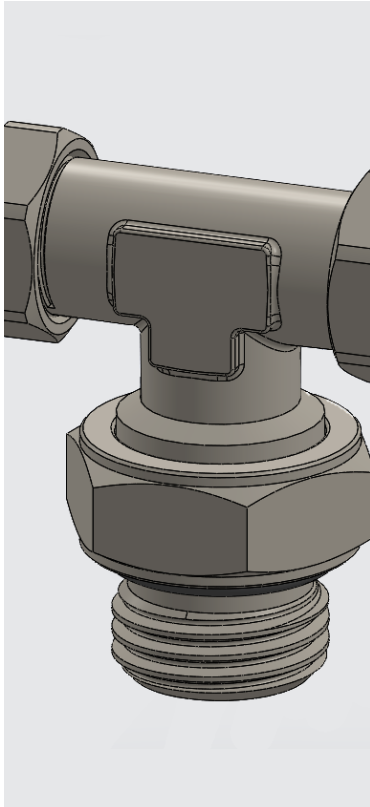
p. 182 / **2615**



p. 182 / **2620**



p. 182 / **2625**



-20°C ÷ 100°C with o-ring in NBR
 -15°C ÷ +200°C with o-ring in viton
 The working temperature depends on the features of the selected tube.



18 Bar
 The working pressure depends on the features of the selected tube



Compressed air, water, oil and fluids suitable with construction materials



Taper gas BSPT ISO 7 from R1/8" to R1/2"
 Parallel gas BSPP ISO 228 from G1/8" to G1/2"
 Metric ISO R/262 M5, M6, M12



Polyurethane, Polyethylene, Polyamide, PTFE, FEP



Body: Nickel plated brass
 UNI EN 12164 CW 614N AND
 UNI EN12165 CW 617N

Lock nut: UNI EN 12164 CW 614N AND
O'Ring: NBR

- Available on demand and with minimum quantity in yellow brass.
- Available on demand O-Ring in Viton



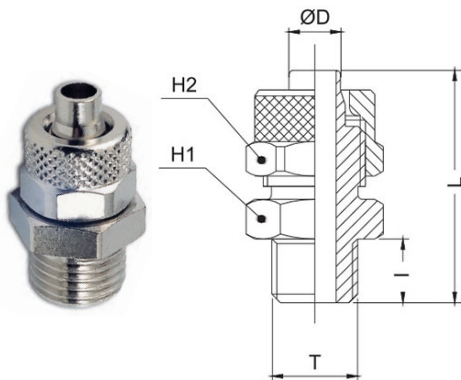
Products in compliance with the directive 2002/95/EC

RoHS2

Products in compliance with the directive 2011/65/EU

2500

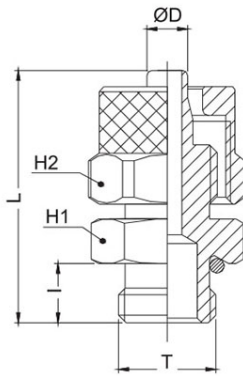
Male connector BSPP thread



CODE	T	ØD	I	L	H1	H2	GR.
2500TR1853	G1/8"	5/3	6	23,0	14	8	10,0
2500TR1864	G1/8"	6/4	6	25,5	14	12	16,0
2500TR1464	G1/4"	6/4	8	28,0	17	12	24,0
2500TR3864	G3/8"	6/4	9	29,0	19	12	28,0
2500TR1886	G1/8"	8/6	6	25,5	14	14	18,0
2500TR1486	G1/4"	8/6	8	28,0	17	14	26,0
2500TR3886	G3/8"	8/6	9	29,0	19	14	28,0
2500TR18108	G1/8"	10/8	6	27,0	14	16	24,0
2500TR14108	G1/4"	10/8	8	29,5	17	16	30,0
2500TR38108	G3/8"	10/8	9	30,5	19	16	34,0
2500TR12108	G1/2"	10/8	10	32,0	24	16	44,0
2500TR381210	G3/8"	12/10	9	32,0	19	18	38,0
2500TR121210	G1/2"	12/10	10	33,5	24	18	48,0
2500TR1215125	G1/2"	15/12,5	10	35,5	24	22	60,0

2502

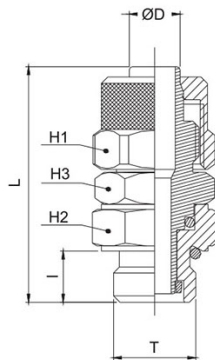
Male connector BSPP thread with OR



CODE	T	ØD	I	L	H1	H2	GR.
2502TR18427	G1/8"	4/2,7	6	21,8	13	8	10,0
2502TR1853	G1/8"	5/3	6	23,0	15	8	11,0
2502TR1864	G1/8"	6/4	6	25,5	13	12	16,0
2502TR1464	G1/4"	6/4	8	28,0	16	12	21,0
2502TR3864	G3/8"	6/4	9	29,0	19	12	26,0
2502TR1264	G1/2"	6/4	10	30,5	24	12	45,0
2502TR1886	G1/8"	8/6	6	25,5	14	14	18,0
2502TR1486	G1/4"	8/6	8	28,0	16	14	22,0
2502TR3886	G3/8"	8/6	9	29,0	19	14	31,0
2502TR1286	G1/2"	8/6	10	30,5	24	14	38,0
2502TR18108	G1/8"	10/8	6	27,5	14	16	24,0
2502TR14108	G1/4"	10/8	8	29,5	16	16	28,0
2502TR38108	G3/8"	10/8	9	30,5	19	16	32,0
2502TR12108	G1/2"	10/8	10	32,0	24	16	51,0
2502TR381210	G3/8"	12/10	9	32,0	19	18	36,0
2502TR121210	G1/2"	12/10	10	33,5	24	18	46,0
2502TR1215125	G1/2"	15/12,5	10	35,5	24	22	52,0

2503

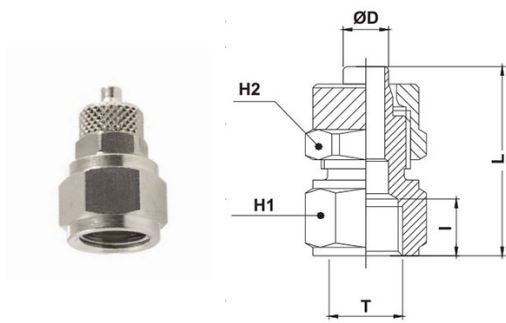
Swivel male connector BSPP thread with OR



CODE	T	ØD	I	L	H1	H2	H3	GR.
2503TR1864	G1/8"	6/4	6	36,0	12	13	12	24,0
2503TR1464	G1/4"	6/4	8	37,5	12	16	14	30,0
2503TR1885	G1/8"	8/5	6	36,0	14	12	13	0,026
2503TR1485	G1/4"	8/5	8	37,5	14	14	16	0,032
2503TR1886	G1/8"	8/6	6	36,0	14	13	12	26,0
2503TR1486	G1/4"	8/6	8	37,5	14	16	14	32,0
2503TR141065	G1/4"	10/6,5	8	39	16	14	16	0,038
2503TR14108	G1/4"	10/8	8	39,0	16	16	14	38,0
2503TR38128	G3/8"	12/8	9	42	18	17	19	0,05
2503TR381210	G3/8"	12/10	9	42,0	18	19	17	52,0

2505

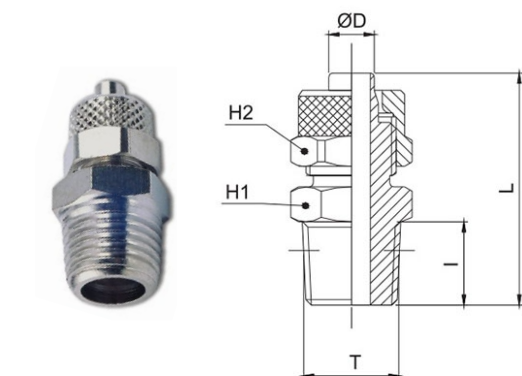
Female connector BSPP thread



CODE	T	ØD	I	L	H1	H2	GR.
2505TR18427	G1/8"	4/2,7	8,0	21,3	14	8	11,0
2505TR1853	G1/8"	5/3	8,0	22,5	14	8	12,0
2505TR1864	G1/8"	6/4	8,0	25,0	14	12	18,0
2505TR1464	G1/4"	6/4	11,0	29,0	17	12	26,0
2505TR3864	G3/8"	6/4	11,5	29,5	20	12	30,0
2505TR1886	G1/8"	8/6	8,0	25,0	14	14	20,0
2505TR1486	G1/4"	8/6	11,0	29,0	17	14	28,0
2505TR3886	G3/8"	8/6	11,5	29,5	20	14	32,0
2505TR1286	G1/2"	8/6	14	33	24	14	32,0
2505TR18108	G1/8"	10/8	8,0	26,5	14	16	24,0
2505TR14108	G1/4"	10/8	11,0	30,5	17	16	32,0
2505TR38108	G3/8"	10/8	11,5	31,0	20	16	36,0
2505TR12108	G1/2"	10/8	14,0	34,5	24	16	50,0
2505TR381210	G3/8"	12/10	11,5	32,5	20	18	40,0

2510

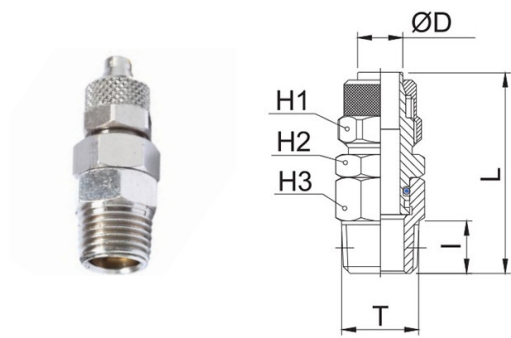
Male connector BSPT thread



CODE	T	ØD	I	L	H1	H2	GR.
2510TR18427	R1/8"	4/2,7	8	23,8	12	8	10,0
2510TR1853	R1/8"	5/3	8,0	25,0	12	8	10,0
2510TR1864	R1/8"	6/4	8,0	27,5	12	12	16,0
2510TR1464	R1/4"	6/4	11,0	31,0	14	12	20,0
2510TR3864	R3/8"	6/4	11,5	31,5	17	12	26,0
2510TR1886	R1/8"	8/6	8,0	27,5	12	14	18,0
2510TR1486	R1/4"	8/6	11,0	31,0	14	14	22,0
2510TR3886	R3/8"	8/6	11,5	31,5	17	14	28,0
2510TR1286	R1/2"	8/6	14,0	34,5	22	14	44,0
2510TR18108	R1/8"	10/8	8,0	29,5	14	16	24,0
2510TR14108	R1/4"	10/8	11,0	32,5	14	16	28,0
2510TR38108	R3/8"	10/8	11,5	33,0	17	16	34,0
2510TR12108	R1/2"	10/8	14,0	36,0	22	16	46,0
2510TR381210	R3/8"	12/10	11,5	34,5	17	18	38,0
2510TR121210	R1/2"	12/10	14,0	37,5	22	18	50,0
2510TR1215125	R1/2"	15/12,5	14,0	39,5	22	22	62,0

2511

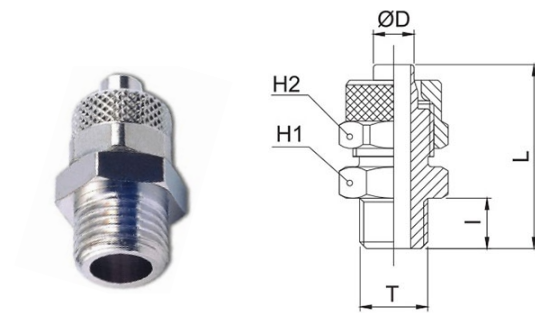
Swivel male connector BSPT thread



CODE	T	ØD	I	L	H1	H2	H3	GR.
2511TR1864	G1/8"	6/4	8	37,0	12	12	12	22,0
2511TR1464	G1/4"	6/4	11	40,0	12	14	14	28,0
2511TR1885	G1/8"	8/5	8	37	14	12	12	0,03
2511TR1485	G1/4"	8/5	11	40	14	14	14	0,032
2511TR1886	G1/8"	8/6	8	37,0	14	12	12	26,0
2511TR1486	G1/4"	8/6	11	40,0	14	14	14	30,0
2511TR141065	G1/4"	10/6,5	11	42	16	14	14	0,034
2511TR14108	G1/4"	10/8	11	42,0	16	14	14	34,0
2511TR38128	G3/8"	12/8	11,5	44	18	17	17	0,05
2511TR381210	G3/8"	12/10	11,5	44,0	18	17	17	50,0

2512

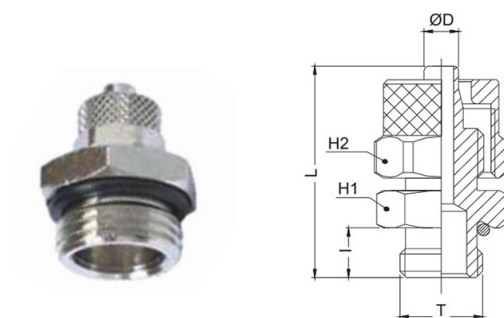
Male connector metric thread



CODE	T	ØD	I	L	H1	H2	GR.
2512TRM553	M5	5/3	4	20	8	8	4,0
2512TRM653	M6	5/3	5	21	8	8	6,0
2512TRM564	M5	6/4	4	21	8	9	6,0
2512TRM664	M6	6/4	5	22	8	9	6,0
2512TRM1212564	M12X1,25	6/4	8	28	17	12	22,0
2512TRM121564	M12X1,5	6/4	8	28	17	12	22,0
2512TRM1212586	M12X1,25	8/6	8	28	17	14	24,0
2512TRM121586	M12X1,5	8/6	8	28	17	14	24,0

2513

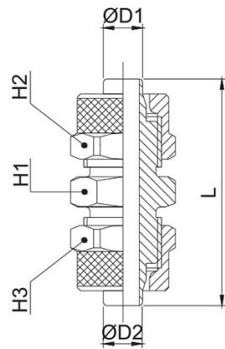
Male connector metric thread with OR



CODE	T	ØD	I	L	H1	H2	GR.
2513TRM5427	M5	4/2,7	4	20,0	8	8	6,0
2513TRM6427	M6	4/2,7	4	20,0	8	8	6,0
2513TRM553	M5	5/3	4	20,5	8	8	6,0
2513TRM653	M6	5/3	4	20,5	8	8	6,0
2513TRM564	M5	6/4	4	21,0	8	12	6,0
2513TRM664	M6	6/4	4	21,0	8	12	6,0
2513TRM12164	M12X1	6/4	8	28,0	15	12	20,0
2513TRM1212564	M12X1,25	6/4	8	28,0	15	12	20,0
2513TRM121564	M12X1,5	6/4	8	28,0	15	12	20,0
2513TRM1212586	M12X1,25	8/6	8	28,0	17	14	17,0
2513TRM121586	M12X1,5	8/6	8	28,0	17	14	17,0

2515

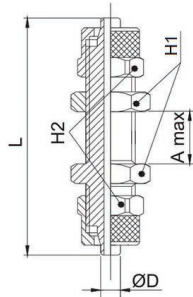
Union connector



CODE	ØD1	ØD2	L	H1	H2	H3	GR.
2515TR427	4/2,7	4/2,7	26,0	8	8	8	8,0
2515TR53	5/3	5/3	28,5	8	8	8	8,0
2515TR64	6/4	6/4	34,5	12	12	12	22,0
2515TR86	8/6	8/6	35,0	14	14	14	28,0
2515TR8664	8/6	6/4	35,0	14	14	12	26,0
2515TR108	10/8	10/8	38,0	14	16	16	36,0
2515TR1210	12/10	12/10	41,0	17	18	18	48,0
2515TR15125	15/12,5	15/12,5	45,5	22	22	22	78,0

2520

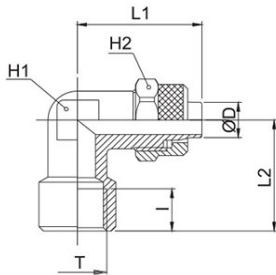
Bulkhead connector



CODE	ØD	L	A+	H1	H2	GR.
2520TR427	4/2,7	36,7	8,5	9	8	10,0
2520TR53	5/3	40,0	8,5	9	8	12,0
2520TR64	6/4	48,0	10,5	14	12	34,0
2520TR86	8/6	48,0	10,5	16	14	42,0
2520TR108	10/8	50,0	8,5	17	16	54,0
2520TR1210	12/10	53,0	8,5	19	18	76,0
2520TR15125	15/12,5	58,0	8,5	24	22	110,0

2530

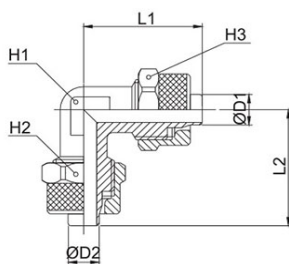
Female elbow BSPP thread



CODE	T	ØD	I	L1	L2	H1	H2	GR.
2530TR1853	G1/8"	5/3	8,0	21,5	19,0	10	8	16,0
2530TR1864	G1/8"	6/4	8,0	22,5	19,0	10	12	22,0
2530TR1464	G1/4"	6/4	10,5	25,0	23,0	11	12	36,0
2530TR1886	G1/8"	8/6	8,0	22,5	19,0	10	14	22,0
2530TR1486	G1/4"	8/6	10,5	25,0	23,0	11	14	32,0
2530TR14108	G1/4"	10/8	11,0	26,0	23,5	13	16	38,0
2530TR381210	G3/8"	12/10	11,5	30,5	28,0	17	18	60,0

2535

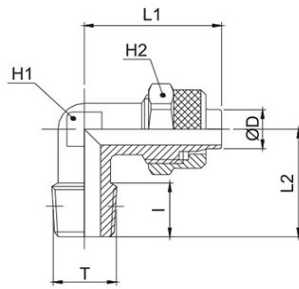
Union elbow connector



CODE	ØD1	ØD2	L1	L2	H1	H2	H3	GR.
2535TR427	4/2,7	4/2,7	20,3	20,3	8	8	8	11,0
2535TR53	5/3	5/3	21,5	21,5	8	8	8	12,0
2535TR64	6/4	6/4	21,5	21,5	8	12	12	20,0
2535TR86	8/6	8/6	22,5	22,5	10	14	14	28,0
2535TR8664	8/6	6/4	22,5	22,5	10	14	12	26,0
2535TR108	10/8	10/8	25,5	25,5	11	16	16	38,0
2535TR1210	12/10	12/10	30,0	30,0	14	18	18	56,0
2535TR15125	15/12,5	15/12,5	34,0	34,0	17	22	22	88,0

2540

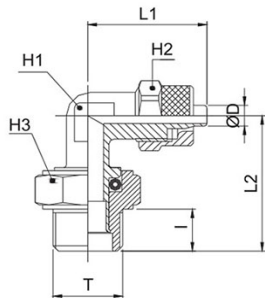
Male elbow BSPT thread



CODE	T	ØD	I	L1	L2	H1	H2	GR.
2540TR18427	R1/8"	4/2,7	8,0	19,5	17,0	8	8	10,0
2540TR1853	R1/8"	5/3	8,0	21,5	17,0	8	8	10,0
2540TR1864	R1/8"	6/4	8,0	22,5	17,0	8	12	16,0
2540TR1464	R1/4"	6/4	11,0	22,5	20,0	10	12	22,0
2540TR3864	R3/8"	6/4	11,5	23,5	22,5	11	12	30,0
2540TR1886	R1/8"	8/6	8,0	22,5	17,0	10	14	20,0
2540TR1486	R1/4"	8/6	11,0	22,5	20,0	10	14	24,0
2540TR3886	R3/8"	8/6	11,5	24,0	22,5	11	14	32,0
2540TR1286	R1/2"	8/6	14	28	26,5	17	14	37,0
2540TR18108	R1/8"	10/8	8,0	25,5	18,5	11	16	28,0
2540TR14108	R1/4"	10/8	11,0	25,5	21,5	11	16	32,0
2540TR38108	R3/8"	10/8	11,5	25,5	22,5	11	16	34,0
2540TR12108	R1/2"	10/8	14,0	28,0	28,0	17	16	56,0
2540TR141210	R1/4"	12/10	11,0	30,0	24,0	14	18	42,0
2540TR381210	R3/8"	12/10	11,5	30,0	24,5	14	18	48,0
2540TR121210	R1/2"	12/10	14,0	30,5	28,0	17	18	60,0
2540TR1215125	R1/2"	15/12,5	14,0	34,0	28,0	17	22	70,0

2542

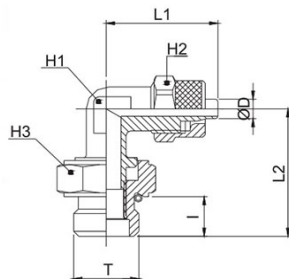
Swivel male elbow BSPP thread



CODE	T	ØD	I	L1	L2	H1	H2	H3	GR.
2542TR18427	G1/8"	4/2,7	6	21,5	22,5	8	12	14	18,0
2542TR1864	G1/8"	6/4	6	22,5	22,5	8	12	14	22,0
2542TR1464	G1/4"	6/4	8	23,5	25,0	10	12	17	34,0
2542TR1886	G1/8"	8/6	6	23,5	22,5	10	14	14	28,0
2542TR1486	G1/4"	8/6	8	23,5	25,0	10	14	17	36,0
2542TR14108	G1/4"	10/8	8	23,5	25,5	11	16	17	42,0

2543

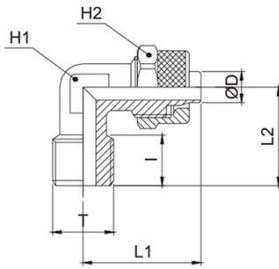
Swivel male elbow BSPP thread with OR



CODE	T	ØD	I	L1	L2	H1	H2	H3	GR.
2543TR18427	G1/8"	4/2,7	6	21,5	22,5	8	12	14	19,0
2543TR1864	G1/8"	6/4	6	22,5	22,5	8	12	14	23,0
2543TR1464	G1/4"	6/4	8	23,5	25,0	10	12	17	35,0
2543TR1886	G1/8"	8/6	6	23,5	22,5	10	14	14	29,0
2543TR1486	G1/4"	8/6	8	23,5	25,0	10	14	17	37,0
2543TR14108	G1/4"	10/8	8	23,5	25,5	11	14	17	43,0

2548

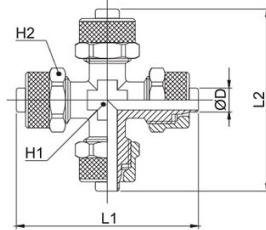
Male elbow metric thread



CODE	T	ØD	I	L1	L2	H1	H2	GR.
2548TRM5427	M5	4/2,7	4	19,5	15	8	8	10,0
2548TRM6427	M6	4/2,7	4	19,5	15	8	8	10,0
2548TRM553	M5	5/3	4	21,5	15	8	8	10,0
2548TRM564	M5	6/4	4	22,5	15	8	9	14,0
2548TRM1212564	M12X1,25	6/4	9	22,5	20,5	10	12	24,0
2548TRM121564	M12X1,5	6/4	9	22,5	20,5	10	12	22,0
2548TRM1212586	M12X1,25	8/6	9	22,5	20,5	10	14	24,0
2548TRM121586	M12X1,5	8/6	9	22,5	20,5	10	14	24,0

2550

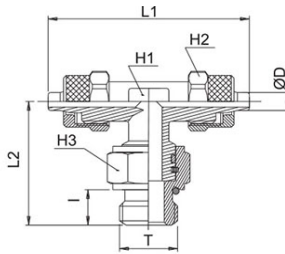
Cross junction connector



CODE	ØD	L1	L2	H1	H2	GR.
2550TR53	5/3	43	43	8	8	22,0
2550TR64	6/4	45	45	8	12	42,0
2550TR86	8/6	45	45	10	14	52,0
2550TR108	10/8	51	51	11	16	70,0

2553

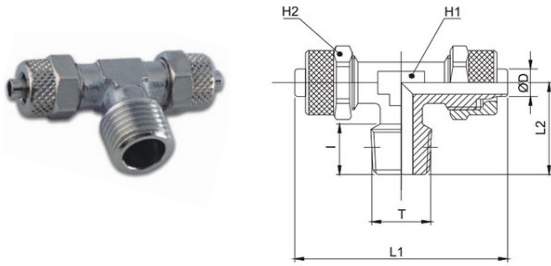
Swivel male tee BSPP thread with OR



CODE	T	ØD	I	L1	L2	H1	H2	H3	GR.
2553TR18427	G1/8"	4/2,7	6	45,0	25,7	8	8	13	19,0
2553TR1864	G1/8"	6/4	6	45,0	25,7	8	12	13	23,0
2553TR1464	G1/4"	6/4	8	45,5	29,0	10	12	17	35,0
2553TR1886	G1/8"	8/6	6	45,5	26,0	10	14	13	29,0
2553TR1486	G1/4"	8/6	8	45,5	28,0	10	14	17	37,0
2553TR14108	G1/4"	10/8	8	51,0	29,0	11	16	17	43,0

2555

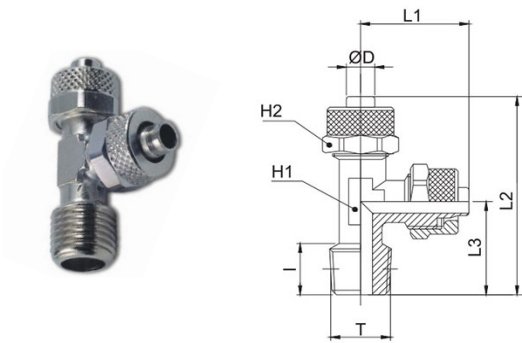
Male tee BSPT thread



CODE	T	ØD	I	L1	L2	H1	H2	GR.
2555TR18427	R1/8"	4/2,7	8,0	40,6	17,0	8	8	16,0
2555TRM553	M5	5/3	4,0	43,0	15,0	8	8	16,0
2555TR1853	R1/8"	5/3	8,0	43,0	17,0	8	8	16,0
2555TR1864	R1/8"	6/4	8,0	45,0	17,0	8	12	26,0
2555TR1464	R1/4"	6/4	11,0	45,5	20,5	10	12	34,0
2555TR3864	R3/8"	6/4	11,5	48,0	22,5	11	12	42,0
2555TR1886	R1/8"	8/6	8,0	45,5	17,5	10	14	34,0
2555TR1486	R1/4"	8/6	11,0	45,5	20,5	10	14	36,0
2555TR3886	R3/8"	8/6	11,5	48,0	22,5	11	14	44,0
2555TR18108	R1/8"	10/8	8,0	51,0	18,5	11	16	44,0
2555TR14108	R1/4"	10/8	11,0	51,0	21,5	11	16	48,0
2555TR38108	R3/8"	10/8	11,5	51,0	22,5	11	16	50,0
2555TR12108	R1/2"	10/8	14,0	57,0	28,0	17	16	80,0
2555TR381210	R3/8"	12/10	11,5	60,0	24,5	14	18	70,0
2555TR121210	R1/2"	12/10	14,0	61,0	28,0	17	18	86,0
2555TR1215125	R1/2"	15/12,5	14,0	68,0	28,0	17	22	108,0

2560

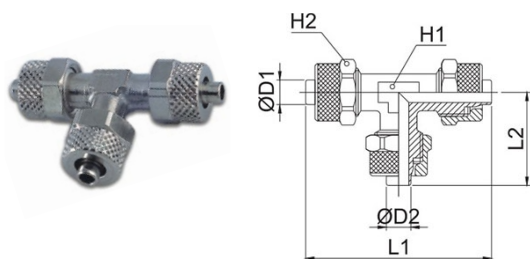
Lateral male tee BSPT thread



CODE	T	ØD	I	L1	L2	L3	H1	H2	GR.
2560TR18427	R1/8"	4/2,7	8,0	21,5	38,0	17,0	8	8	16,0
2560TRM553	M5	5/3	4,0	21,5	36,5	15,0	8	8	16,0
2560TR1853	R1/8"	5/3	8,0	21,5	38,5	17,0	8	8	16,0
2560TR1864	R1/8"	6/4	8,0	22,5	39,5	17,0	8	12	26,0
2560TR1464	R1/4"	6/4	11,0	22,7	42,5	20,0	10	12	34,0
2560TR3864	R3/8"	6/4	11,5	24,0	46,5	22,5	11	12	40,0
2560TR1886	R1/8"	8/6	8,0	22,7	40,5	17,5	10	14	34,0
2560TR1486	R1/4"	8/6	11,0	22,7	43,5	20,5	10	14	38,0
2560TR3886	R3/8"	8/6	11,5	24,0	46,5	22,5	11	14	44,0
2560TR18108	R1/8"	10/8	8,0	25,5	44,0	18,5	11	16	44,0
2560TR14108	R1/4"	10/8	11,0	25,5	46,5	21,0	11	16	48,0
2560TR38108	R3/8"	10/8	11,5	25,5	48,0	22,5	11	16	50,0
2560TR12108	R1/2"	10/8	14,0	30,5	57,0	28,0	17	16	76,0
2560TR381210	R3/8"	12/10	11,5	30,0	54,5	24,5	14	18	70,0
2560TR121210	R1/2"	12/10	14,0	30,5	58,5	28,0	17	18	86,0
2560TR1215125	R1/2"	15/12,5	14,0	34,0	62,0	28,0	17	22	108,0

2565

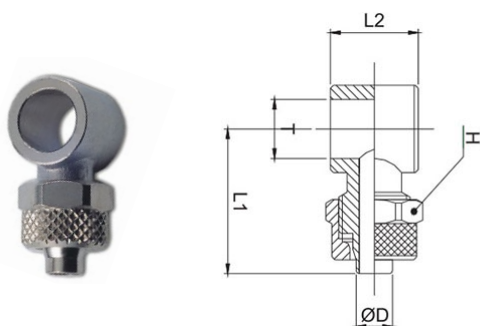
Union tee connector



CODE	ØD1	ØD2	L1	L2	H1	H2	GR.
2565TR427	4/2,7	4/2,7	40,6	20,3	8	8	16,0
2565TR53	5/3	5/3	43,0	21,5	8	8	16,0
2565TR64	6/4	6/4	45,0	22,5	8	12	32,0
2565TR86	8/6	8/6	45,0	22,5	10	14	42,0
2565TR8664	8/6	6/4	45,0	22,5	10	14	40,0
2565TR108	10/8	10/8	51,0	25,5	11	16	56,0
2565TR1210	12/10	12/10	60,0	30,0	14	18	78,0
2565TR15125	15/12,5	15/12,5	68,0	34,0	17	22	124,0

2570

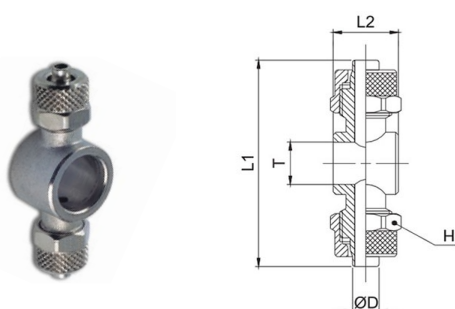
Single banjo body



CODE	T	ØD	L1	L2	H	GR.
2570TRM5427	M5	4/2,7	15,8	9,0	8	6,0
2570TRM6427	M6	4/2,7	15,8	9,0	8	6,0
2570TR18427	G1/8"	4/2,7	21,3	14,5	8	15,0
2570TRM553	M5	5/3	17,0	9,0	8	8,0
2570TR1853	G1/8"	5/3	22,5	14,5	8	14,0
2570TRM564	M5	6/4	18,0	9,0	9	8,0
2570TR1864	G1/8"	6/4	24,0	14,5	12	20,0
2570TR1464	G1/4"	6/4	26,0	14,5	12	24,0
2570TR1886	G1/8"	8/6	24,0	14,5	14	22,0
2570TR1486	G1/4"	8/6	26,0	14,5	14	26,0
2570TR14108	G1/4"	10/8	27,5	14,5	16	30,0

2575

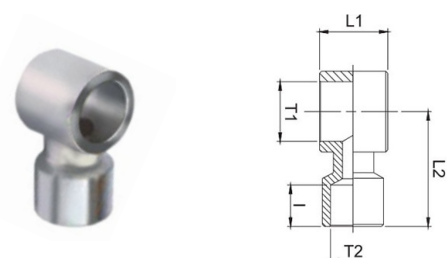
Double banjo body



CODE	T	ØD	L1	L2	H	GR.
2575TR18427	G1/8"	4/2,7	42,6	14,5	8	19,0
2575TR1853	G1/8"	5/3	45,0	14,5	8	20,0
2575TR1864	G1/8"	6/4	48,0	14,5	12	30,0
2575TR1464	G1/4"	6/4	52,0	14,5	12	34,0
2575TR1886	G1/8"	8/6	48,0	14,5	14	32,0
2575TR1486	G1/4"	8/6	52,0	14,5	14	38,0
2575TR14108	G1/4"	10/8	55,0	14,5	16	44,0

2580

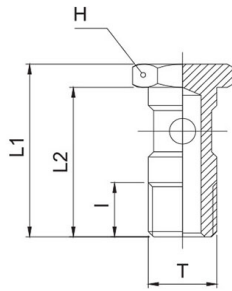
Female single banjo body



CODE	T1	T2	I	L1	L2	GR.
2580TR18	G1/8"	G1/8"	8,0	14,5	20,0	22,0
2580TR14	G1/4"	G1/4"	10,0	17,5	25,0	41,0
2580TR38	G3/8"	G3/8"	11,5	21,0	28,0	78,0

251V

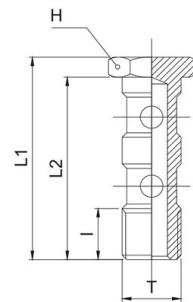
Single banjo stem



CODE	T	I	L1	L2	H	GR.
251VM5	M5	6	18,0	14,5	8	4,0
251VM6	M6	6	18,0	14,5	8	5,0
251V18	G1/8"	8	27,0	23,0	14	14,0
251V14	G1/4"	11	29,5	25,0	17	24,0

252V

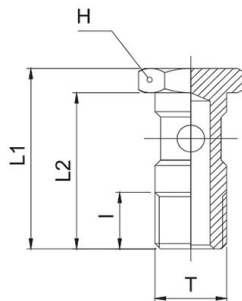
Double banjo stem



CODE	T	I	L1	L2	H	GR.
252V18	G1/8"	8	43,0	39,0	14	18,0
252V14	G1/4"	11	45,5	41,0	17	34,0

2585

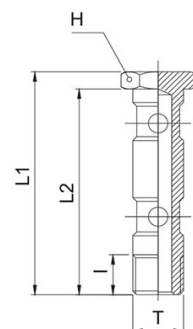
Long single banjo stem



CODE	T	I	L1	L2	H	GR.
2585TR18	G1/8"	8	31,0	27,0	14,0	16,0
2585TR14	G1/4"	11	33,5	29,0	17,0	26,0

2595

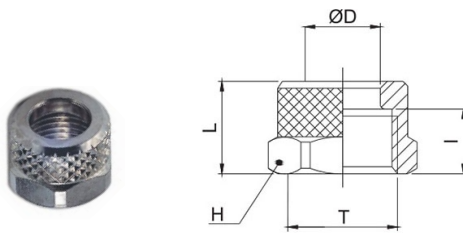
Long double banjo stem



CODE	T	I	L1	L2	H	GR.
2595TR18	G1/8"	8	56,0	52,0	14	24,0
2595TR14	G1/4"	11	58,5	54,0	17	42,0

2630

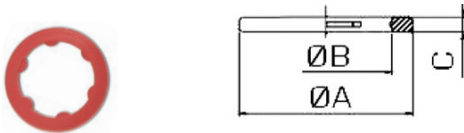
Locking nut



CODE	T	ØD	I	L	H	GR.
2630TRM605427	M6X0,5	4/2,7	6,0	8,1	8	1,50
2630TRM707553	M7X0,75	5/3	6,0	8,5	8	1,34
2630TRM807564	M8X0,75	6/4	6,5	9,0	9	1,51
2630TRM10164	M10X1	6/4	7,5	10,5	12	4,64
2630TRM12186	M12X1	8/6	7,5	10,5	14	5,57
2630TRM141108	M14X1	10/8	8,0	11,5	16	7,09
2630TRM1611210	M16X1	12/10	10,0	13,0	18	9,36
2630TRM20115125	M20X1	15/12,5	11,0	15,5	22	15,04

2610

Nylon notched washer



CODE	THREAD	A	B	C	GR.
2610TRM5	M5	8,0	5,2	1,3	2,0
2610TR18	G1/8"	14,0	10,0	2,0	26,0
2610TR14	G1/4"	18,0	13,5	2,0	42,0
2610TR38	G3/8"	21,0	16,8	2,0	28,0
2610TR12	G1/2"	26,0	21,1	2,0	38,0

2612

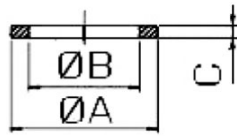
PVC washer



CODE	THREAD	D4	D1	H	GR.
2612TR18	G1/8"	14,0	10,0	1,5	18,0
2612TR14	G1/4"	17,5	13,5	1,5	18,0
2612TR38	G3/8"	21,0	16,7	1,5	18,0
2612TR12	G1/2"	26,0	21,3	1,5	18,0

2615

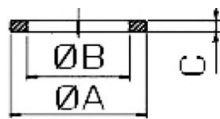
Nylon washer



CODE	THREAD	A	B	C	GR.
2615TRM5	M5	8,5	5,0	1,5	4,0
2615TR18	G1/8"	14,0	9,8	1,5	24,0
2615TR14	G1/4"	18,0	13,2	1,5	40,0
2615TR38	G3/8"	21,0	16,7	1,5	20,0
2615TR12	G1/2"	26,0	21,1	2,0	38,0
2615TR34	G3/4"	32,0	26,7	2,5	62,0

2620

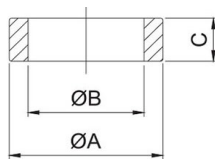
Aluminum washer



CODE	THREAD	A	B	C	GR.
2620TR18	G1/8"	14,0	10,0	1,5	58,0
2620TR14	G1/4"	17,3	13,3	1,5	76,0
2620TR38	G3/8"	21,0	16,9	1,5	46,0
2620TR12	G1/2"	26,0	21,1	1,5	70,0

2625

Nylon spacer



CODE	THREAD	ØA	ØB	C	GR.
2625TR18	1/8"	14,0	10,0	5,0	52,0
2625TR14	1/4"	17,5	13,2	5,0	66,0

THIS SPACER IS USED ON STEMS 2585 AND 2595.