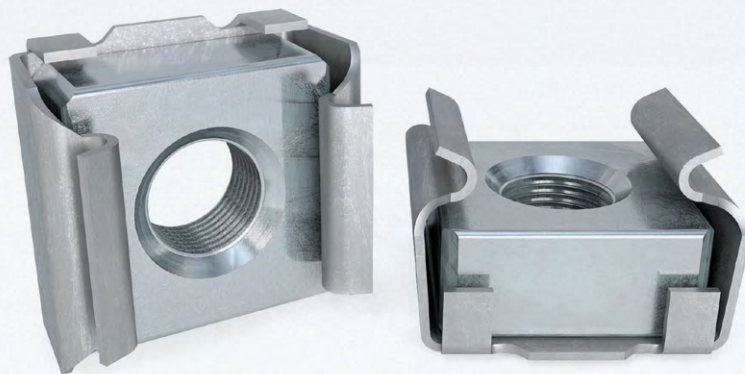


Fastening Technology / Threaded Inserts

RIV-TI[®]
Captive Nuts







Contents

Page

RIV-TI® Captive Nuts	Metal captive nuts	4
	Nylon captive nuts	5
	Captive nuts for 19" switch cabinet	6



RIV-TI® captive nuts

Metal captive nuts

- Quick installation
- Front-side installation
- Quarter-turn installation
- Made of metal

Material

Housing:

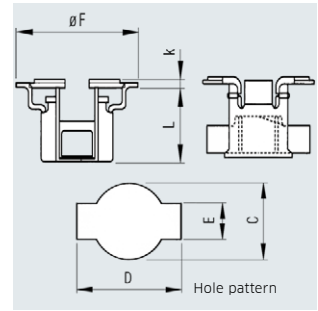


steel

Nut:

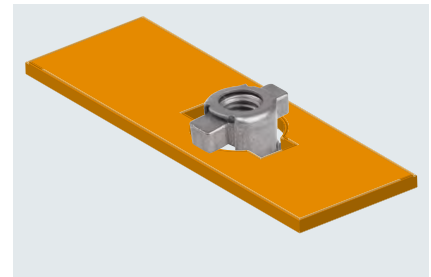
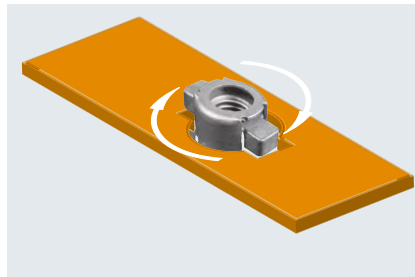
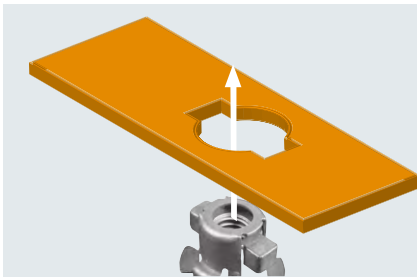


steel



Thread size d1	Grip range s [mm]	Hole dimensions			Head \varnothing D [mm]	Head height k [mm]	Length L [mm]	Colour	Article No.
		C [mm]	D [mm]	E [mm]					
M6	0.5 - 3.7	10.2 - 10.4	14.5 - 14.7	4.4 - 4.6	17	0.5	10.5	-	331 621 000
M8	0.5 - 4.4	14.3 - 14.5	22.0 - 22.2	6.5 - 6.7	24	0.8	14	-	331 626 000

Other designs available on request.





RIV-TI® captive nuts

Nylon captive nuts

- Quick installation
- Front-side installation
- Quarter-turn installation

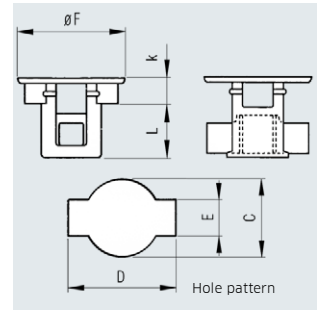
Material

Housing:

 nylon

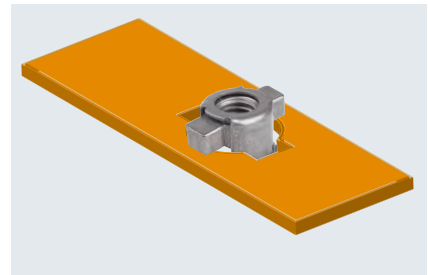
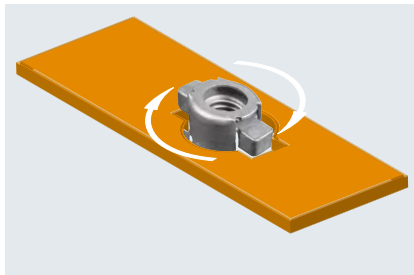
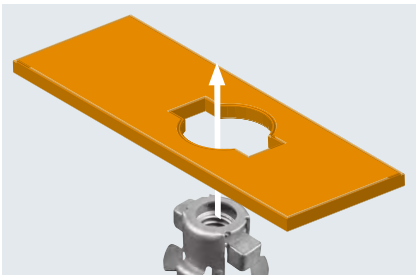
Nut:

 steel



Thread size d1	Grip range s [mm]	Hole dimensions			Head ø		Head height k [mm]	Length L [mm]	Colour	Article No.
		C [mm]	D [mm]	E [mm]	D [mm]					
M6	0.5 - 5.5	10.5	15.0	4.5	18	0.8	12	natur	331 623 000	

Other designs available on request.





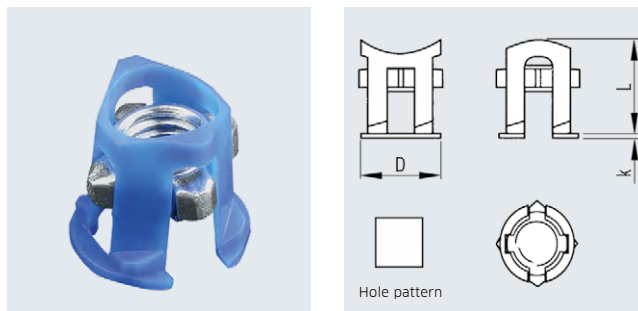
RIV-TI® captive nut

Captive nuts for 19" switch cabinet

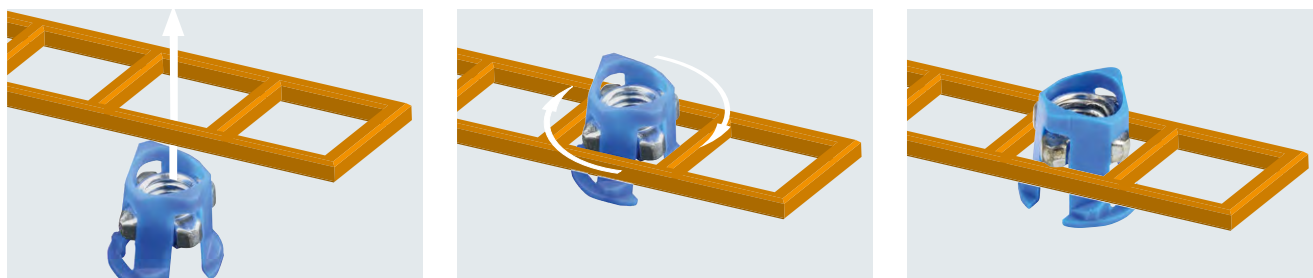
- Quick installation
- Front-side installation
- Quarter-turn installation

Material

Housing:	Nut:
nylon	steel



Thread size d1	Grip range s [mm]	Square hole [mm]	Head ø D [mm]	Head height k [mm]	Length L [mm]	Tensile load max [N]	Torque ± 1 Nm recommended [Nm]	Colour	Article No.
M6	0.5 - 3.1	9.5	12.3	0.8	12	5000	6	blau	331 625 000



The tensile load refers to the female thread, not the envisaged application!
 The torque refers to the female thread, not the envisaged application!

Other designs available on request.



captive nut
Standard



Captive nut for
front-side installation



Cylindrical
captive nut