



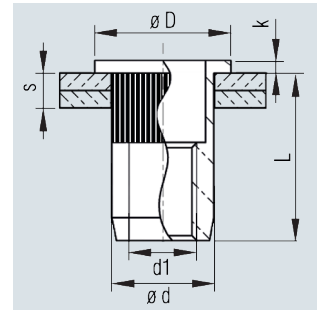
Tubtara® blind rivet nuts

Flat head

Round shank with optimised knurl, open end

Material

Steel, Zinktop 480h



Thread	Grip range	Hole \varnothing	Shank \varnothing	Head \varnothing	Head height	Shank length	Description	Article No.
d1	s	+0.1	d -0.02 -0.15	D \pm 0.35	k \pm 0.15	L \pm 0.35		
6H	[mm]	[mm]	[mm]	[mm]	[mm]	[mm]		
M 4	0.5 - 3.0	6.0	6.0	10.0	0.75	10.75	UP030 KN	337 800 950 ²
	3.0 - 4.5	6.0	6.0	10.0	0.75	12.25	UP045 KN	337 801 950 ²
M 5	0.5 - 3.0	7.0	7.0	11.0	1.0	12.0	UP030 KN	337 805 950 ²
	3.0 - 5.5	7.0	7.0	11.0	1.0	15.0	UP055 KN	337 806 950 ²
M 6	0.5 - 3.0	9.0	9.0	13.0	1.5	14.5	UP030 KN	337 810 950
	3.0 - 5.5	9.0	9.0	13.0	1.5	16.5	UP055 KN	337 811 950 ²
M 8	0.5 - 3.0	11.0	11.0	16.0	1.5	16.0	UP030 KN	337 815 950
	3.0 - 5.5	11.0	11.0	16.0	1.5	18.5	UP055 KN	337 816 950 ²
M 10	0.8 - 3.5	13.0	13.0	19.0	2.0	21.0	SP035 KN	337 818 950

² Not a stock item - contact us for minimum quantities



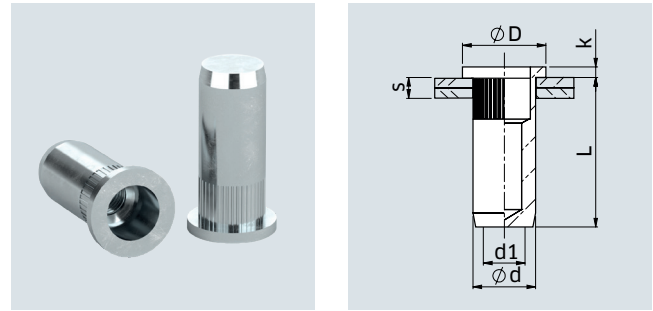
Tubtara® blind rivet nuts

Flat head

Round shank with optimised knurl, closed end

Material

Steel, Zinktop 480h



Thread	Grip range	Hole \varnothing	Shank \varnothing	Head \varnothing	Head height	Shank length	Description	Article No.
d1	s	+0.1	d -0.02 -0.15	D \pm0.35	k \pm0.15	L \pm0.35		
6H	[mm]	[mm]	[mm]	[mm]	[mm]	[mm]		
M 5	0.5 - 3.0	7.0	7.0	11.0	1.0	18.0	UPX30 KN	337 832 950
	3.0 - 5.5	7.0	7.0	11.0	1.0	20.5	UPX55 KN	337 833 950
M 6	0.5 - 3.0	9.0	9.0	13.0	1.5	21.5	UPX30 KN	337 834 950
	3.0 - 5.5	9.0	9.0	13.0	1.5	24.5	UPX55 KN	337 835 950
M 8	0.5 - 3.0	11.0	11.0	16.0	1.5	22.5	UPX30 KN	337 836 950
	3.0 - 5.5	11.0	11.0	16.0	1.5	25.5	UPX55 KN	337 837 950



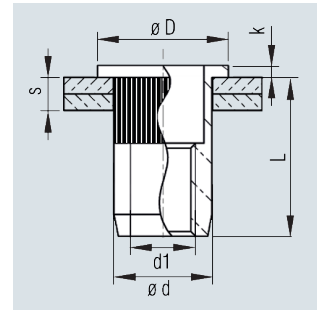
Tubtara® blind rivet nuts

Flat head

Round shank with optimised knurl, open end

Material

Stainless steel AISI 304 Cu 1.4567



Thread	Grip range	Hole ϕ	Shank ϕ	Head ϕ	Head height	Shank length	Description	Article No.
d1	s	+0.1	d -0.02 -0.15	D ± 0.35	k ± 0.15	L ± 0.35		
6H	[mm]	[mm]	[mm]	[mm]	[mm]	[mm]		
M4	0.5 - 2.0	6.0	6.0	9.0	1.0	11.0	UP020 KN	334 800 000 ²
M5	0.5 - 3.0	7.0	7.0	10.0	1.0	11.5	UP030 KN	334 803 000 ²
	3.0 - 5.0	7.0	7.0	10.0	1.0	15.0	UP050 KN	334 804 000
M6	0.5 - 3.0	9.0	9.0	12.0	1.5	14.5	UP030 KN	334 805 000
	3.0 - 5.0	9.0	9.0	12.0	1.5	16.5	UP050 KN	334 806 000
M8	0.5 - 3.0	11.0	11.0	16.0	1.5	16.0	UP030 KN	334 807 000 ²
	3.0 - 5.5	11.0	11.0	16.0	1.5	18.5	UP055 KN	334 808 000
M10	0.8 - 3.5	13.0	13.0	17.0	1.5	21.5 ⁴	SP035 KN	334 822 000

² Not a stock item - contact us for minimum quantities

⁴ Shank length (L) tolerance: ± 0.5



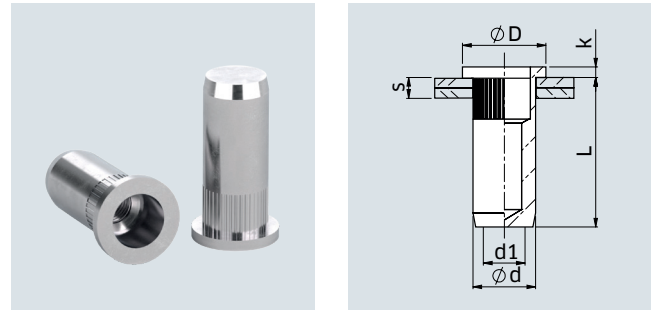
Tubtara® blind rivet nuts

Flat head

Round shank with optimised knurl, closed end

Material

Stainless steel AISI 304 Cu 1.4567



Thread	Grip range	Hole \varnothing	Shank \varnothing	Head \varnothing	Head height	Shank length	Description	Article No.
d1	s	+0.1	d -0.02 -0.15	D \pm0.35	k \pm0.15	L \pm0.35		
6H	[mm]	[mm]	[mm]	[mm]	[mm]	[mm]		
M5	0.5 - 3.0	7.0	7.0	10.0	1.0	17.5	UPX30 KN	334 825 000
M6	0.5 - 3.0	9.0	9.0	12.0	1.5	21.5	UPX30 KN	334 826 000
M8	0.5 - 3.0	11.0	11.0	16.0	1.5	23.5	UPX30 KN	334 827 000



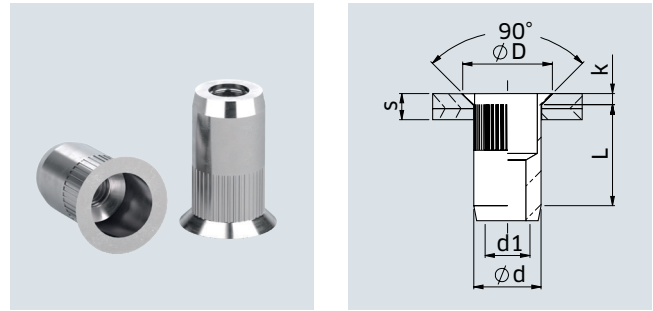
Tubtara® blind rivet nuts

Countersunk head 90°

Round shank with optimised knurl, open end

Material

Stainless steel AISI 304 Cu 1.4567



Thread	Grip range	Hole ø	Shank ø	Head ø	Head height	Shank length	Description	Article No.
d1	s	+0.1	d -0.02 -0.15	D +0 -0.5	k +0.3	L ±0.35		
6H	[mm]	[mm]	[mm]	[mm]	[mm]	[mm]		
M4	1.2 - 3.0	6.0	6.0	8.0	1.0	12.0	UF030 KN	334 115 000
M5	1.2 - 3.5	7.0	7.0	9.0	1.0	12.0	UF035 KN	334 116 000
M6	1.7 - 4.5	9.0	9.0	12.0	1.5	17.0	UF045 KN	334 117 000
M8	1.7 - 4.5	11.0	11.0	14.0	1.5	17.5	UF045 KN	334 118 000
M10	1.7 - 4.5	13.0	13.0	15.0	1.5	22.5 ⁴	SF045 KN	334 119 000

⁴ Shank length (L) tolerance: ±0.5



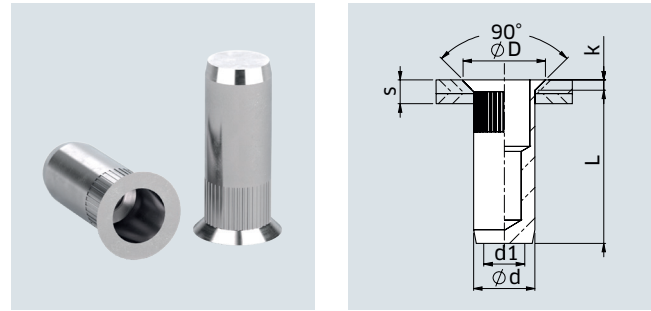
Tubtara® blind rivet nuts

Countersunk head 90°

Round shank with optimised knurl, closed end

Material

Stainless steel AISI 304 Cu 1.4567



Thread	Grip range	Hole ø	Shank ø	Head ø	Head height	Shank length	Description	Article No.
d1	s	+0.1	d -0.02 -0.15	D -0.5	k +0.3	L ±0.35		
6H	[mm]	[mm]	[mm]	[mm]	[mm]	[mm]		
M4	1.2 - 3.0	6.0	6.0	8.0	1.0	16.0	UFX30 KN	334 828 000
M5	1.2 - 3.5	7.0	7.0	9.0	1.0	18.0	UFX35 KN	334 829 000
M6	1.7 - 4.5	9.0	9.0	12.0	1.5	24.0	UFX45 KN	334 830 000
M8	1.7 - 4.5	11.0	11.0	14.0	1.5	25.0	UFX45 KN	334 831 000
M10	1.7 - 4.5	13.0	13.0	15.0	1.5	30.5 ⁴	SFX45 KN	334 832 000

⁴ Shank length (L) tolerance: ±0.5

Tubtara® blind rivet nuts

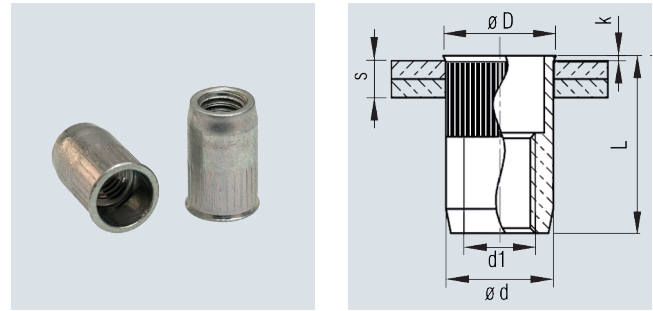


Low profile head

Round shank with optimised knurl, open end
- No need to countersink holes

Material

Steel, Zinktop 480h



Thread	Grip range	Hole \varnothing	Shank \varnothing	Head \varnothing	Head height	Shank length	Description	Article No.
d1	s	+0.1	d -0.02 -0.15	D -0.15 +0.3	k -0.05 +0.3	L \pm0.35		
6H	[mm]	[mm]	[mm]	[mm]	[mm]	[mm]		
M 4	0.5 - 3.0	6.0	6.0	6.5	0.5	10.75	UK030 KN	337 860 950
	3.0 - 5.0	6.0	6.0	6.5	0.5	12.75	UK050 KN	337 861 950 ²
M 5	0.5 - 3.0	7.0	7.0	7.5	0.5	12.0	UK030 KN	337 862 950
	3.0 - 5.5	7.0	7.0	7.5	0.5	15.0	UK055 KN	337 863 950 ²
M 6	0.5 - 3.0	9.0	9.0	9.5	0.5	14.5	UK030 KN	337 864 950
	3.0 - 5.5	9.0	9.0	9.5	0.5	16.5	UK055 KN	337 865 950 ²
M 8	0.5 - 3.0	11.0	11.0	11.5	0.5	16.0	UK030 KN	337 866 950 ²
	3.0 - 5.5	11.0	11.0	11.5	0.5	18.5	UK055 KN	337 867 950 ²
M 10	0.8 - 3.5	13.0	13.0	13.8	2.0	19.5	SK035 KN	337 868 950

² Not a stock item - contact us for minimum quantities



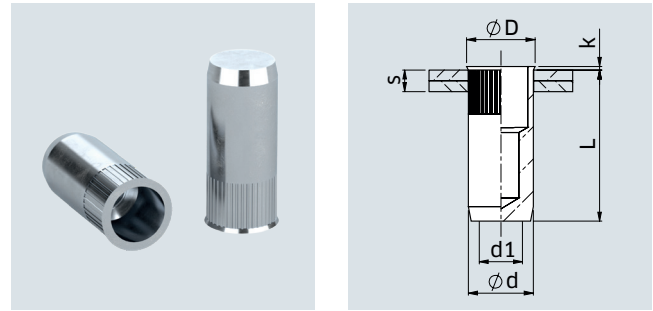
Tubtara® blind rivet nuts

Low profile head

Round shank with optimised knurl, closed end
 - No need to countersink holes

Material

Steel, Zinktop 480h



Thread	Grip range	Hole \varnothing	Shank \varnothing	Head \varnothing	Head height	Shank length	Description	Article No.
d1	s	+0.1	d -0.02 -0.15	D -0.15 +0.3	k -0.05 +0.3	L \pm0.35		
6H	[mm]	[mm]	[mm]	[mm]	[mm]	[mm]		
M 5	0.5 - 3.0	7.0	7.0	7.5	0.5	18.0	UKX30 KN	337 841 950
	3.0 - 5.5	7.0	7.0	7.5	0.5	20.5	UKX55 KN	337 842 950
M 6	0.5 - 3.0	9.0	9.0	9.5	0.5	21.5	UKX30 KN	337 843 950
	3.0 - 5.5	9.0	9.0	9.5	0.5	24.0	UKX55 KN	337 844 950
M 8	0.5 - 3.0	11.0	11.0	11.5	0.5	22.5	UKX30 KN	337 845 950
	3.0 - 5.5	11.0	11.0	11.5	0.5	25.0	UKX55 KN	337 846 950



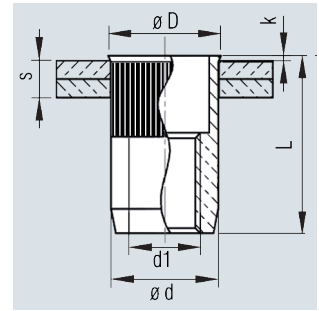
Tubtara® blind rivet nuts

Low profile head

Round shank with optimised knurl, open end
- No need to countersink holes

Material

Stainless steel AISI 304 Cu 1.4567



Thread	Grip range	Hole \varnothing	Shank \varnothing	Head \varnothing	Head height	Shank length	Description	Article No.
d1	s	+0.1	d -0.02 -0.15	D -0.15 +0.3	k -0.05 +0.3	L \pm0.35		
6H	[mm]	[mm]	[mm]	[mm]	[mm]	[mm]		
M 4	0.5 - 2.0	6.0	6.0	6.5	0.5	11.0	UK020 KN	334 810 000
M 5	0.5 - 3.0	7.0	7.0	7.5	0.5	12.0	UK030 KN	334 812 000
	3.0 - 5.0	7.0	7.0	7.5	0.5	15.0	UK050 KN	- ²
M 6	0.5 - 3.0	9.0	9.0	9.5	0.5	14.5	UK030 KN	334 814 000
	3.0 - 5.0	9.0	9.0	9.5	0.5	16.5	UK050 KN	- ²
M 8	0.5 - 3.0	11.0	11.0	11.5	0.5	16.0	UK030 KN	334 816 000
	3.0 - 5.5	11.0	11.0	11.5	0.5	18.5	UK055 KN	- ²
M 10	0.8 - 3.5	13.0	13.0	13.5	0.5	21.0 ⁴	SK035 KN	- ²

² Not a stock item - contact us for minimum quantities

⁴ Shank length (L) tolerance: \pm 0.5



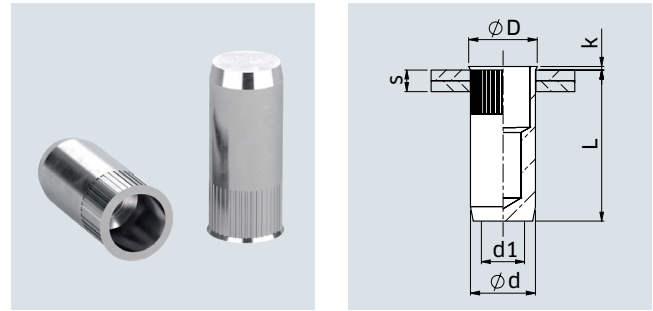
Tubtara® blind rivet nuts

Low profile head

Round shank with optimised knurl, closed end
 - No need to countersink holes

Material

Stainless steel AISI 304 Cu 1.4567



Thread	Grip range	Hole \varnothing	Shank \varnothing	Head \varnothing	Head height	Shank length	Description	Article No.
d1	s	+0.1	d -0.02 -0.15	D -0.15 +0.3	k -0.05 +0.3	L \pm0.35		
6H	[mm]	[mm]	[mm]	[mm]	[mm]	[mm]		
M 5	0.5 - 3.0	7.0	7.0	7.5	0.5	18.0	UKX30 KN	334 833 000
M 6	0.5 - 3.0	9.0	9.0	9.5	0.5	21.5	UKX30 KN	334 834 000
M 8	0.5 - 3.0	11.0	11.0	11.5	0.5	24.0	UKX30 KN	334 835 000



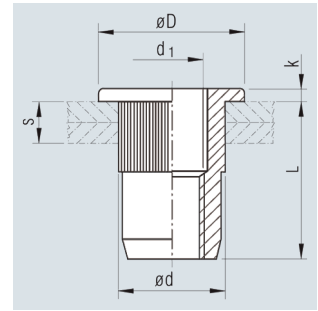
Tubtara® blind rivet nuts

Flat head

Round shank, knurled, open end

Material

Steel, Zinktop 480h



Thread	Grip range	Hole \varnothing	Shank \varnothing	Head \varnothing	Head height	Shank length	Description	Article No.
d1	s	+0.1	d ± 0.08	D ± 0.35	k ± 0.15	L ± 0.35		
6H	[mm]	[mm]	[mm]	[mm]	[mm]	[mm]		
M 4	0.5 - 3.0	6.4	6.3	10.0	0.75	10.75	UP030 RS	337 900 950
	3.0 - 4.5	6.4	6.3	10.0	0.75	12.25	UP045 RS	337 901 950 ²
M 5	0.5 - 3.0	7.4	7.3	11.0	1.0	12.0	UP030 RS	337 905 950
	3.0 - 5.5	7.4	7.3	11.0	1.0	15.0	UP055 RS	337 906 950
M 6	0.5 - 3.0	9.4	9.3	13.0	1.5	14.5	UP030 RS	337 910 950
	3.0 - 5.5	9.4	9.3	13.0	1.5	16.5	UP055 RS	337 911 950
M 8	0.5 - 3.0	11.5	11.4	16.0	1.5	16.0	UP030 RS	337 915 950
	3.0 - 5.5	11.5	11.4	16.0	1.5	18.5	UP055 RS	337 916 950
M 10	0.8 - 3.5	13.0	12.9	18.5	2.3	19.75	UP035 RS	337 920 950
	3.5 - 6.0	13.0	12.9	18.5	2.3	22.75	UP060 RS	337 921 950

² Not a stock item - contact us for minimum quantities



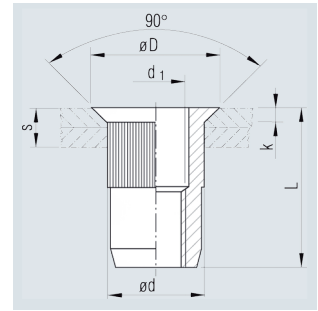
Tubtara® blind rivet nuts

Countersunk head 90°

Round shank, knurled, open end

Material

Steel, Zinktop 480h



Thread	Grip range	Hole ø	Shank ø	Head ø	Head height	Shank length	Description	Article No.
d1	s	+0.1	d ±0.08	D 0 -0.5	k 0 +0.3	L ±0.35		
6H	[mm]	[mm]	[mm]	[mm]	[mm]	[mm]		
M 4	1.7 - 3.5	6.4	6.3	9.0	1.5	11.5	UF035 RS	337 930 950 ²
	3.5 - 5.0	6.4	6.3	9.0	1.5	13.0	UF050 RS	337 931 950 ²
M 5	1.7 - 4.0	7.4	7.3	10.0	1.5	13.0	UF040 RS	337 935 950
	4.0 - 6.5	7.4	7.3	10.0	1.5	16.0	UF065 RS	337 936 950 ²
M 6	1.7 - 4.5	9.4	9.3	12.0	1.5	17.0	UF045 RS	337 940 950
	4.5 - 6.5	9.4	9.3	12.0	1.5	19.0	UF065 RS	337 941 950
M 8	1.7 - 4.5	11.5	11.4	14.0	1.5	19.0	UF045 RS	337 945 950
	4.5 - 6.5	11.5	11.4	14.0	1.5	21.0	UF065 RS	337 946 950
M 10	1.7 - 4.5	13.0	12.9	15.4	1.5	21.0	UF045 RS	337 950 950
	4.5 - 6.5	13.0	12.9	15.4	1.5	23.0	UF065 RS	337 951 950

² Not a stock item - contact us for minimum quantities