



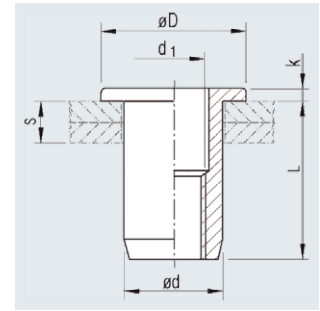
RIV-TI® blind rivet nuts

Round body

Flat head, open end

Material

■
Aluminium



Thread	Grip range s [mm]	Hole ø +0.1 [mm]	Shank ø d +0/-0.15 [mm]	Head ø D ±0.3 [mm]	Head height k ±0.1 [mm]	Shank length L ±0.3 [mm]	Article No.
M 3	0.5 - 1.5	5.0	5.0	8.0	0.8	9.0	336 351 003
M 4	0.8 - 2.5	6.0	6.0	9.0	0.8	10.5	336 453 003
	2.5 - 3.5	6.0	6.0	9.0	0.8	11.5	336 455 003
M 5	0.8 - 2.5	7.0	7.0	10.0	1.0	11.5	336 552 003
	2.5 - 3.5	7.0	7.0	10.0	1.0	12.5	336 554 003
M 6	1.0 - 2.5	9.0	9.0	12.5	1.5	13.5	336 631 003
	2.5 - 4.0	9.0	9.0	12.5	1.5	15.0	336 633 003
M 8	1.0 - 2.5	11.0	11.0	14.5	1.5	15.0	336 771 003
	2.5 - 4.0	11.0	11.0	14.5	1.5	16.5	336 773 003
M 10	1.0 - 2.5	13.0	13.0	16.5	1.5	15.5	336 901 003
	2.5 - 4.0	13.0	13.0	16.5	1.5	17.0	336 903 003

Other designs available on request.

RIV-TI® blind rivet nuts

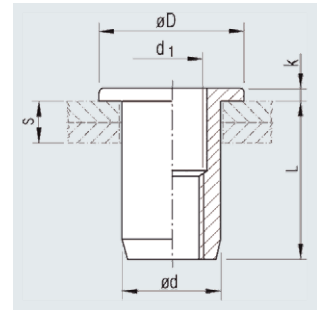


Round body

Flat head, open end

Material

Steel, galvanised, passivated



Thread	Grip range <i>s</i> [mm]	Hole \varnothing +0.1 [mm]	Shank \varnothing <i>d</i> +0/-0.15 [mm]	Head \varnothing <i>D</i> \pm 0.3 [mm]	Head height <i>k</i> 0.2 [mm]	Shank length <i>L</i> \pm 0.3 [mm]	Article No.
M 3	0.3 - 1.8	5.0	5.0	8.0	0.7	8.8	336 181 903
M 4	0.5 - 2.0	6.0	6.0	9.0	0.8	10.4	336 223 903
M 5	0.5 - 2.5	7.0	7.0	11.0	1.0	12.0	336 262 903
M 6	0.8 - 3.0	9.0	9.0	13.0	1.5	14.5	336 711 903
	3.0 - 5.0	9.0	9.0	13.0	1.5	17.0	336 713 903
M 8	0.9 - 3.0	11.0	11.0	15.0	1.5	16.5	336 857 903
	3.0 - 5.5	11.0	11.0	16.0	1.5	19.5	336 859 903
	5.5 - 8.0	11.0	11.0	16.0	1.5	21.5	336 860 903
M 10	1.0 - 3.5	13.0	13.0	17.0	1.5	18.5	336 988 903
	3.0 - 4.5	13.0	13.0	19.0	2.0	22.0	336 990 903
	4.5 - 6.0	13.0	13.0	19.0	2.0	23.5	336 991 903
M 12	1.0 - 4.0	16.1	15.9*	22.0*	2.0	23.0	336 011 903
	4.0 - 7.0	16.1	16.0*	23.0*	2.0	28.0	336 012 903
M 16**	1.0 - 5.0	21.0	20.95*	26.0*	2.5*	30.3*	336 054 903

* Deviating tolerances

** Suitable for use with the RL100 tool.

Other designs available on request.



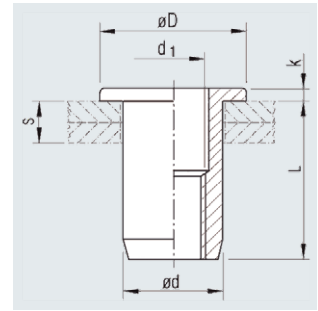
RIV-TI® blind rivet nuts

Round body

Flat head, open end

Material

A2 stainless steel 1.4567



Thread	Grip range s [mm]	Hole ø +0.1 [mm]	Shank ø d max. [mm]	Head ø D 0/-0.5 [mm]	Head height k ±0.1 [mm]	Shank length L ±0.3 [mm]	Article No.
M 3	0.3 - 2.0	5.0	5.0	8.0	0.8	9.0	334 224 003
M 4	0.3 - 2.5	6.0	6.0	9.0	1.0	11.0	334 225 003
	2.5 - 4.0	6.0	6.0	9.0	1.0	12.5	334 226 003
M 5	0.3 - 3.0	7.0	7.0	10.0	1.0	12.0	334 266 003
	3.0 - 4.5	7.0	7.0	10.0	1.0	13.5	334 267 003
M 6	0.5 - 3.0	9.0	9.0	12.0	1.5	14.0	334 716 003
	3.0 - 5.0	9.0	9.0	12.0	1.5	16.0	334 717 003
M 8	0.5 - 3.0	11.0	11.0	15.0	1.5	16.0	334 855 003
	3.0 - 5.5	11.0	11.0	15.0	1.5	18.5	334 856 003
M 10	1.0 - 3.5	13.0	13.0	17.0	2.0	19.0	334 987 003
	3.5 - 6.0	13.0	13.0	17.0	2.0	21.5	334 988 003

Other designs available on request.