



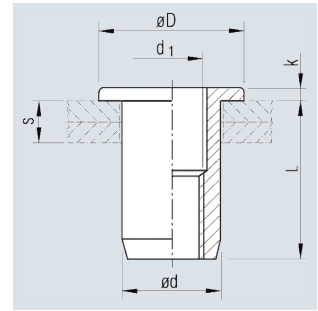
Tubtara® blind rivet nuts

Flat head

Round shank, open end

Material

■
Aluminium



Thread d1 6H	Grip range s [mm]	Hole ø +0.1 [mm]	Shank ø d -0.02 -0.15 [mm]	Head ø D ±0.35 [mm]	Head height k ±0.15 [mm]	Shank length L ±0.35 [mm]	Description	Article No.
M 3	0.5 - 2.0	5.0	5.0	8.0	0.75	9.75	UP020	336 351 000 ¹
	2.0 - 3.0	5.0	5.0	8.0	0.75	10.75	UP030	336 353 000 ¹
M 4	0.5 - 3.0	6.0	6.0	10.0	0.75	10.75	UP030	336 453 000
	3.0 - 4.5	6.0	6.0	10.0	0.75	12.25	UP045	336 455 000
M 5	0.5 - 3.0	7.0	7.0	11.0	1.0	12.0	UP030	336 552 000
	3.0 - 5.5	7.0	7.0	11.0	1.0	15.0	UP055	336 554 000
M 6	0.5 - 3.0	9.0	9.0	13.0	1.5	14.5	UP030	336 631 000
	3.0 - 5.5	9.0	9.0	13.0	1.5	16.5	UP055	336 633 000
	5.5 - 8.0	9.0	9.0	13.0	1.5	19.0	UP080	336 634 000 ²
M 8	0.5 - 3.0	11.0	11.0	16.0	1.5	16.0	UP030	336 771 000
	3.0 - 5.5	11.0	11.0	16.0	1.5	18.5	UP055	336 773 000
	5.5 - 8.0	11.0	11.0	16.0	1.5	21.5	UP080	336 775 002 ²
M 10	0.8 - 3.5	12.5	12.4 ³	18.5	2.25	19.75	UP035	336 901 000
	3.5 - 6.0	12.5	12.4 ³	18.5	2.25	22.75	UP060	336 903 000 ²

¹ Shank end without chamfer

² Not a stock item - contact us for minimum quantities

³ Shank Ø (d) tolerance: ±0.08



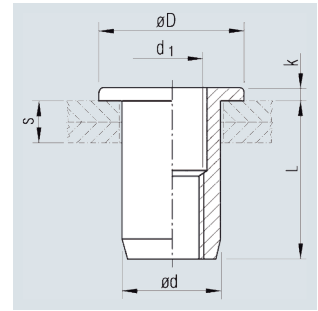
Tubtara® blind rivet nuts

Flat head

Round shank, open end

Material

Steel, Zinktop 480h



Thread d1 6H	Grip range s [mm]	Hole ϕ +0.1 [mm]	Shank ϕ d -0.02 -0.15 [mm]	Head ϕ D ± 0.35 [mm]	Head height k ± 0.15 [mm]	Shank length L ± 0.35 [mm]	Description	Article No.
M 3	0.5 - 2.0	5.0	5.0	8.0	0.75	9.75	UP020	336 181 950 ¹
	2.0 - 3.0	5.0	5.0	8.0	0.75	10.75	UP030	336 183 950 ¹
M 4	0.5 - 3.0	6.0	6.0	10.0	0.75	10.75	UP030	336 223 950
	3.0 - 4.5	6.0	6.0	10.0	0.75	12.25	UP045	336 225 950
M 5	0.5 - 3.0	7.0	7.0	11.0	1.0	12.0	UP030	336 262 950
	3.0 - 5.5	7.0	7.0	11.0	1.0	15.0	UP055	336 264 950
M 6	0.5 - 3.0	9.0	9.0	13.0	1.5	14.5	UP030	336 711 950
	3.0 - 5.5	9.0	9.0	13.0	1.5	16.5	UP055	336 713 950
	5.5 - 8.0	9.0	9.0	13.0	1.5	19.0	UP080	336 714 950
M 8	0.5 - 3.0	11.0	11.0	16.0	1.5	16.0	UP030	336 857 950
	3.0 - 5.5	11.0	11.0	16.0	1.5	18.5	UP055	336 859 950
	5.5 - 8.0	11.0	11.0	16.0	1.5	21.5	UP080	336 860 950
M 10	0.8 - 3.5	12.5	12.4 ³	18.5	2.3	19.75	UP035	336 987 950
	3.5 - 6.0	12.5	12.4 ³	18.5	2.3	22.75	UP060	336 989 950
M 10	0.8 - 3.5	13.0	13.0	19.0	2.0	21.0	SPO35	336 988 950
	3.5 - 6.0	13.0	13.0	19.0	2.0	24.0	SPO60	336 990 950
M12	1.0 - 4.0	16.0	16.0	23.0	2.0	25.0	UP040	336 011 950
	4.0 - 7.0	16.0	16.0	23.0	2.0	28.0	UP070	336 012 950

¹ Shank end without chamfer

³ Shank ϕ (d) tolerance: ± 0.08



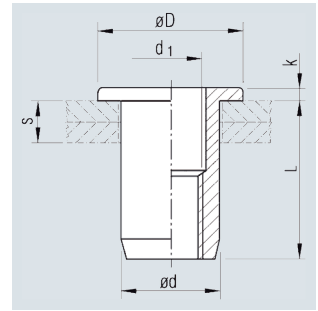
Tubtara® blind rivet nuts

Flat head

Round shank, open end

Material

Stainless steel AISI 304 Cu 1.4567



Thread	Grip range	Hole \varnothing	Shank \varnothing	Head \varnothing	Head height	Shank length	Description	Article No.
d1	s	+0.1	d -0.02 -0.15	D ± 0.35	k ± 0.15	L ± 0.35		
6H	[mm]	[mm]	[mm]	[mm]	[mm]	[mm]		
M 4	0.5 - 2.0	6.0	6.0	9.0	1.0	11.0	UP020	334 225 000
	2.0 - 3.5	6.0	6.0	9.0	1.0	12.5	UP035	334 226 000
M 5	0.5 - 3.0	7.0	7.0	10.0	1.0	11.5	UP030	334 266 000
	3.0 - 5.0	7.0	7.0	10.0	1.0	15.0	UP050	334 267 000
M 6	0.5 - 3.0	9.0	9.0	12.0	1.5	14.5	UP030	334 716 000
	3.0 - 5.0	9.0	9.0	12.0	1.5	16.5	UP050	334 717 020
	5.0 - 7.0	9.0	9.0	12.0	1.5	18.5	UP070	334 719 000
M 8	0.5 - 3.0	11.0	11.0	15.0	1.5	16.0	UP030	334 855 000
	3.0 - 5.5	11.0	11.0	15.0	1.5	18.5	UP055	334 856 000
	5.5 - 8.0	11.0	11.0	15.0	1.5	21.5	UP080	334 857 000
M10	0.8 - 3.0	12.0	12.0	15.0	1.0	18.5	UP030	334 985 000
	3.0 - 5.0	12.0	12.0	15.0	1.0	20.5	UP050	334 986 000
M10	0.8 - 3.5	13.0	13.0	17.0	1.5	21.5 ⁴	SP035	334 987 000
	3.5 - 6.0	13.0	13.0	17.0	1.5	24.0 ⁴	SP060	334 988 000
M12	1.0 - 4.0	16.0	16.0	23.0	2.0	25.0	UP040	334 996 000
	3.0 - 7.0	16.0	16.0	23.0	2.0	28.0	UP070	334 997 000

⁴ Shank length (L) tolerance: ± 0.5



Tubtara® blind rivet nuts

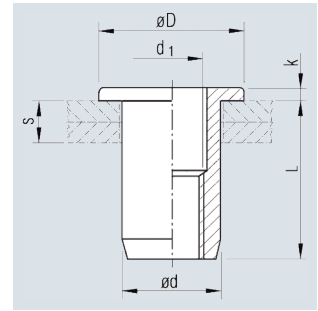
Flat head

Round shank, open end

Material

Stainless steel AISI 316 Cu 1.4578

Exceptionally high corrosion resistance



Thread	Grip range	Hole \varnothing	Shank \varnothing	Head \varnothing	Head height	Shank length	Description	Article No.
d_1	s	$+0.1$	$d -0.02 -0.15$	$D \pm 0.35$	$k \pm 0.15$	$L \pm 0.35$		
6H	[mm]	[mm]	[mm]	[mm]	[mm]	[mm]		
M 4	0.5 - 2.0	6.0	6.0	9.0	1.0	11.0	UP020	334 221 000
	2.0 - 3.5	6.0	6.0	9.0	1.0	12.5	UP035	334 222 000
M 5	0.5 - 3.0	7.0	7.0	10.0	1.0	11.5	UP030	334 268 000
	3.0 - 5.0	7.0	7.0	10.0	1.0	15.0	UP050	334 269 000
M 6	0.5 - 3.0	9.0	9.0	12.0	1.5	14.5	UP030	334 718 000
	3.0 - 5.0	9.0	9.0	12.0	1.5	16.5	UP050	334 721 000
	5.0 - 7.0	9.0	9.0	12.0	1.5	18.5	UP070	334 720 000
M 8	0.5 - 3.0	11.0	11.0	15.0	1.5	16.0	UP030	334 870 000
	3.0 - 5.5	11.0	11.0	15.0	1.5	18.5	UP055	334 871 000
	4.5 - 7.0	11.0	11.0	15.0	1.5	20.0	UP070	334 872 000
M 10	0.8 - 3.5	13.0	13.0	17.0	1.5	21.5 ⁴	SP035	334 873 000
	3.5 - 6.0	13.0	13.0	17.0	1.5	24.0 ⁴	SP060	334 874 000

⁴ Shank length (L) Tolerance: $\pm 0,5$