

POP® blind rivets with grooved sleeve



POP® blind rivets with grooved sleeve are ideal for installing on the blind side of soft materials and for installations involving wood or plastics. They are used in the furniture industry, interior decorating, the timber and plastics industries, vehicle body construction, and much more. The annular rings on the blind rivet surface bite into the material around the drilled hole to form a flush finish. Important: Prior to installation, tests must be run to calculate the bore diameter and minimum bore depth.

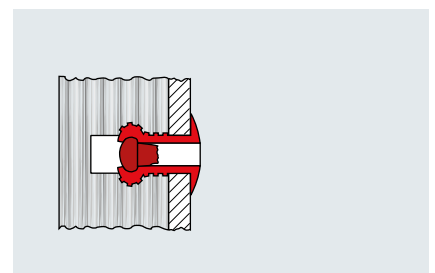
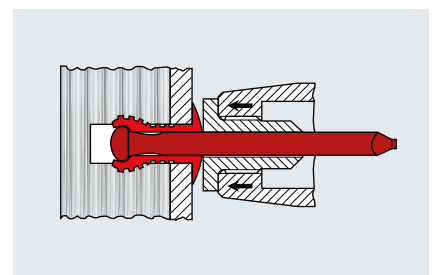
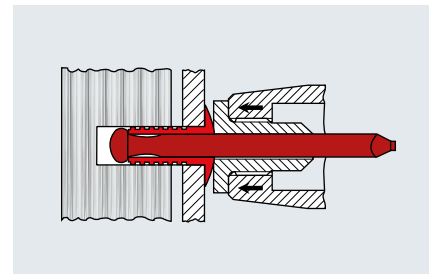
Sample applications

- General industry
- Timber / furniture industries
- Automotive industry
- Construction industry
- Bodywork and vehicle manufacture



Benefits at a glance

- Ideal for blind side holes
- Universal use
- Well suited for securing components to wood
- Fastens different types of material such as metal or plastic
- Can be used on soft materials, such as wood & plastic
- Quick and secure installation
- Multi-range properties - covers numerous areas of material strength
- Permanent secure fixing
- Heatless installation means component will not warp
- Eliminates extensive refinishing
- Ideally suited for lightweight and timber constructions





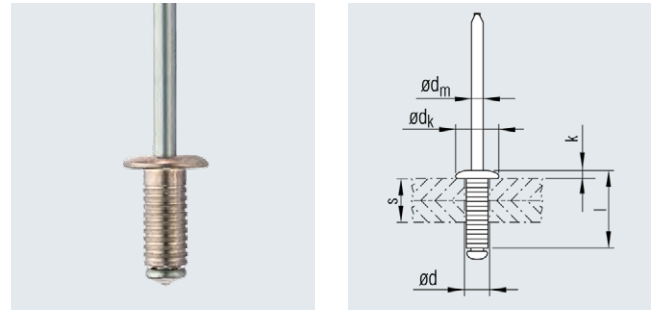
POP® blind rivets with grooved sleeve

Truss head

Material

■ Sleeve:
Aluminum AlMg5

■ Mandrel:
Steel, galvanised



Nominal \varnothing d [mm]	Bore \varnothing [mm]	Blind sleeve l ± 0.5 [mm]	Blind rivet head \varnothing dk ± 0.3 [mm]	Height k max [mm]	Mandrel \varnothing dm nom. [mm]	Article No.
3.3	3.5 - 3.6	9.7	6.4	1.1	1.8	305 173 000
4.1	4.3 - 4.4	8.5	7.9	1.4	2.3	305 182 000
		12.1	7.9	1.4	2.3	305 184 000
5.0	5.2 - 5.3	7.9	9.5	1.6	2.6	305 191 000
		11.3	9.5	1.6	2.6	305 193 000
		15.0	9.5	1.6	2.6	305 195 000
		26.0	9.5	1.6	2.6	305 199 000

* We recommend material-based tests.

Other designs available on request.