

RIV-TI® blind rivet nuts

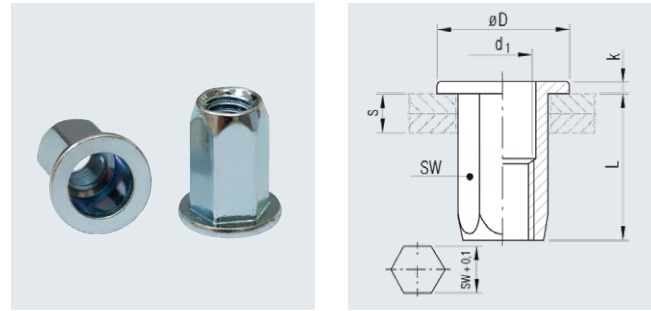


Hex body

Flat head, open end

Material

Steel, galvanised, passivated



Thread	Grip range <i>s</i> [mm]	Hole \varnothing +0.1 [mm]	Shank \varnothing <i>d</i> 0/-0.2 [mm]	Head \varnothing <i>D</i> \pm 0.35 [mm]	Head height <i>k</i> \pm 0.2 [mm]	Shank length <i>L</i> \pm 0.35 [mm]	Article No.
M 4	0.5-2.5	6.1	6.0	9.0	0.8	10.4	339 222 903
	2.5-4.0	6.1	6.0	9.0	0.8	11.9	339 223 903
M 5	0.5-3.0	7.1	7.0	10.0	1.0	12.0	339 262 903
	3.0-4.5	7.1	7.0	10.0	1.0	13.5	339 263 903
M 6	0.5-3.0	9.1	9.0	13.0	1.5	14.5	339 711 903
	3.0-5.0	9.1	9.0	13.0	1.5	16.5	339 713 903
M 8	0.5-3.0	11.1	11.0	16.0	1.5	16.5	339 857 903
	3.0-5.5	11.1	11.0	16.0	1.5	19.0	339 859 903
	5.5-8.0	11.1	11.0	16.0	1.5	21.5	339 860 903
M 10	1.0-4.5	13.1	13.0	19.0	2.0	22.0	339 987 903
	4.0-6.0	13.1	13.0	19.0	2.0	23.5	339 989 903
M 12	1.5-5.0	16.1	16.0	23.0	2.0	25.0	339 998 903

Other designs available on request.



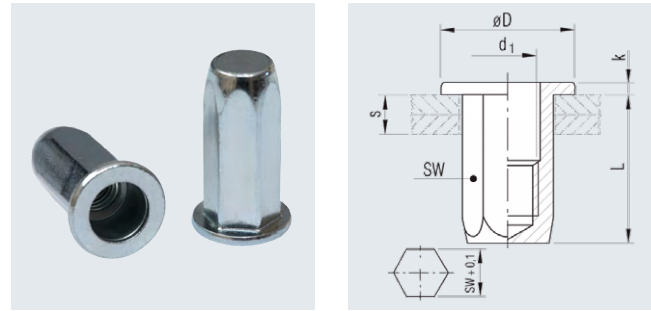
RIV-TI® blind rivet nuts

Hex body

Flat head, closed end

Material

Steel, galvanised, passivated



Thread	Grip range s [mm]	Hole ø +0.1 [mm]	Shank ø d +0/-0.15 [mm]	Head ø D ±0.3 [mm]	Head height k ±0.2 [mm]	Shank length L ±1.0 [mm]	Article No.
M 4	0.5 - 2.0	6.0	6.0	9.0	1.0	15.0	339 202 903
M 5	0.5 - 3.0	7.0	7.0	10.0	1.0	19.0	339 242 903
M 6	0.5 - 3.0	9.0	9.0	13.0	1.5	21.5	339 691 903
M 8	0.7 - 3.0	11.0	11.0	16.0	1.5	24.5	339 837 903
	3.0 - 5.5	11.0	11.0	16.0	1.5	27.0	339 838 903

Other designs available on request.



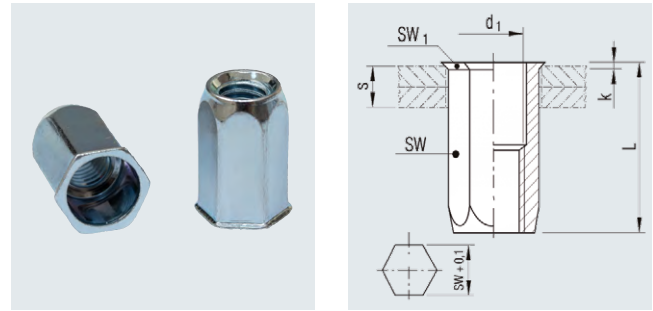
RIV-TI® blind rivet nuts

Hex body

Small countersunk head, open end

Material

Steel, galvanised, passivated



Thread	Grip range s [mm]	Hole ø +0.1 [mm]	Shank ø d 0/-0.2 [mm]	Head ø D ±0.35 [mm]	Head height k 0/+0.3 [mm]	Shank length L +0.5/-0.3 [mm]	Article No.
M 4	0.5-2.5	6.1	6.0	7.0	0.5	10.0	339 322 903
	2.0-4.0	6.1	6.0	7.0	0.5	12.2	339 323 903
M 5	0.5-3.0	7.1	7.0	8.0	0.6	12.0	339 362 903
	2.0-4.5	7.1	7.0	8.0	0.6	14.8	339 363 903
M 6	0.6-3.0	9.1	9.0	10.0	0.6	15.0	339 811 903
	3.0-5.5	9.1	9.0	10.0	0.6	18.0	339 812 903
M 8	0.7-3.5	11.1	11.0	12.0	0.5	17.5	339 957 903
	3.0-5.5	11.1	11.0	12.0	0.5	19.0	339 959 903
M 10	1.0-4.5	13.1	13.0	14.5	1.0	23.0	339 991 903
	3.0-6.0	13.1	13.0	14.5	1.0	25.0	339 993 903
M 12	1.0-4.0	16.1	16.0	18.0*	1.0	25.0*	339 994 903
	3.5-6.5	16.1	16.0	18.0*	1.0	28.0	339 995 903

* Deviating tolerances
Other designs available on request.



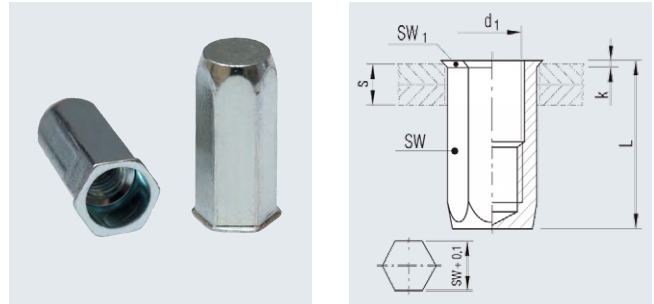
RIV-TI® blind rivet nuts

Hex body

Small countersunk head, closed end

Material

Steel, galvanised, passivated



Thread	Grip range	Hole \varnothing	Shank \varnothing	Head \varnothing	Head height	Shank length	Article No.
6H	s	+0.1	d +0/-0.15	D ±0.3	k ±0.2	L ±1.0	
	[mm]	[mm]	[mm]	[mm]	[mm]	[mm]	
M 4	0.5 - 2.0	6.0	6.0	6.9	0.5	16.0	339 422 903
M 5	0.5 - 3.0	7.0	7.0	8.0	0.5	20.0	339 462 903
M 6	0.5 - 3.0	9.0	9.0	10.0	0.6	22.0	339 911 903
	3.0 - 5.5	9.0	9.0	10.0	0.6	24.0	339 912 903
M 8	0.7 - 3.0	11.0	11.0	12.0	0.5	25.5	339 967 903

Other designs available on request.

RIV-TI® blind rivet nuts

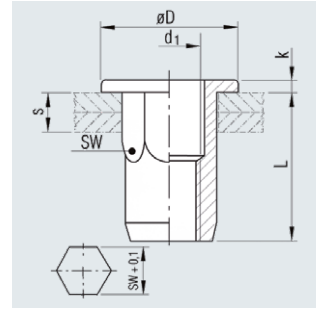


Part hex body

Flat head, open end

Material

Steel, galvanised, passivated



Thread	Grip range <i>s</i> [mm]	Hole \varnothing +0.1 [mm]	Shank \varnothing <i>d</i> +0/-0.15 [mm]	Head \varnothing <i>D</i> \pm 0.3 [mm]	Head height <i>k</i> \pm 0.2 [mm]	Shank length <i>L</i> \pm 0.35 [mm]	Article No.
M 4	0.5 - 2.5	6.0	6.0	9.0	0.8	10.2	339 920 903
M 5	0.5 - 3.0	7.0	7.0	10.0	1.0	12.8	339 922 903
M 6	0.5 - 3.0	9.0	9.0	13.0	1.5	14.5	339 924 903
M 8	0.5 - 3.0	11.0	11.0	16.0	1.5	16.5	339 926 903
M 10	1.0 - 4.5	12.8*	12.7*	19.0	2.0	22.0	339 990 903
	1.0 - 4.5	13.0	13.0	19.0	2.0	22.0	339 929 903

Other designs available on request.



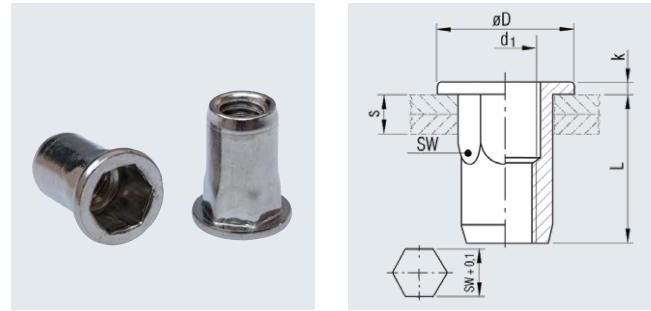
RIV-TI® blind rivet nuts

Part hex body

Flat head, open end

Material

A2 stainless steel 1.4567



Thread	Grip range	Hole ø	Shank ø	Head ø	Head height	Shank length	Article No.
6H	s	+0.1	d +0/-0.15	D 0.5/-0	k ±0.1	L ±0.3	
	[mm]	[mm]	[mm]	[mm]	[mm]	[mm]	
M 4	0.5 - 2.5	6.0	6.0	9.0	1.0	11.0	334 135 003
	2.5 - 4.0	6.0	6.0	9.0	1.0	12.5	334 136 003
M 5	0.5 - 3.0	7.0	7.0	10.0	1.0	12.0	334 155 003
	3.0 - 4.5	7.0	7.0	10.0	1.0	13.5	334 419 003
M 6	0.5 - 3.0	9.0	9.0	12.0	1.5	14.0	334 175 003
	3.0 - 5.0	9.0	9.0	12.0	1.5	16.0	334 714 003
M 8	0.5 - 3.0	11.0	11.0	14.5	1.5	16.0	334 185 003
	3.0 - 5.5	11.0	11.0	14.5	1.5	18.5	334 186 003
M 10	1.0 - 3.5	13.0	13.0	16.5	2.0	19.0	334 196 003

Other designs available on request.

RIV-TI® blind rivet nuts

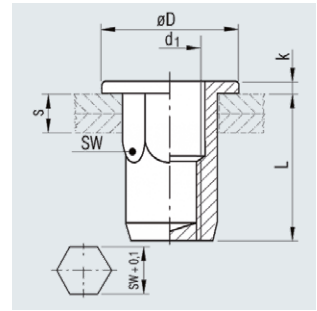


Part hex body

Flat head, closed end

Material

A2 stainless
steel 1.4567



Thread	Grip range <i>s</i> [mm]	Hole \varnothing +0.1 [mm]	Shank \varnothing <i>d</i> +0/-0.15 [mm]	Head \varnothing <i>D</i> 0.5/-0 [mm]	Head height <i>k</i> \pm 0.1 [mm]	Shank length <i>L</i> \pm 0.3 [mm]	Article No.
M 4	0.5-2.5	6.0	6.0	9.0	1.0	16.0	334 425 003
M 5	0.5-3.0	7.0	7.0	10.0	1.0	18.0	334 427 003
M 6	0.5-3.0	9.0	9.0	12.0	1.5	21.0	334 429 003
M 8	0.5-3.0	11.0	11.0	14.5	1.5	23.5	334 431 003
	3.0-5.5	11.0	11.0	14.5	1.5	26.0	334 434 003

Other designs available on request.



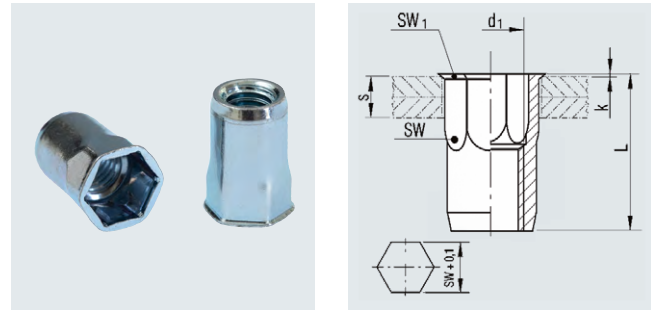
RIV-TI® blind rivet nuts

Part hex body

Small countersunk head, open end

Material

Steel, galvanised, passivated



Thread	Grip range	Hole ø	Shank ø	Head ø	Head height	Shank length	Article No.
6H	s	+0.1	d +0/-0.15	D ±0.3	k ±0.1	L ±0.25	
	[mm]	[mm]	[mm]	[mm]	[mm]	[mm]	
M 3	0.5 - 1.5	5.0	5.0	6.0	0.5	9.3	339 820 903
	1.5 - 2.5	5.0	5.0	6.0	0.5	10.0	339 821 903
M 4	0.5 - 2.0	6.0	6.0	6.8	0.4	10.5	339 822 903
M 5	0.5 - 3.0	7.0	7.0	8.0	0.5	11.7	339 824 903
M 6	0.5 - 3.0	9.0	9.0	10.0	0.5	14.5	339 826 903
M 8	0.5 - 3.0	11.0	11.0	12.0	0.5	16.5	339 828 903
M 10	0.5 - 3.5	13.0	13.0	14.0	0.8	20.0	339 830 903

Other designs available on request.

RIV-TI® blind rivet nuts

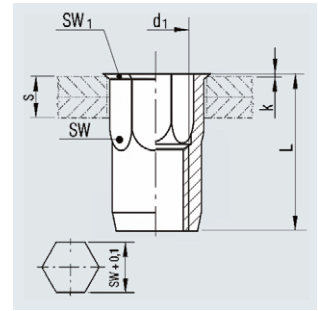


Part hex body

Small countersunk head, open end

Material

A2 stainless
steel 1.4567



Thread	Grip range s [mm]	Hole ø +0.1 [mm]	Shank ø d +0/-0.15 [mm]	Head ø D ±0.3 [mm]	Head height k 0.3/-0 [mm]	Shank length L 0.5/-0 [mm]	Article No.
M 4	0.5-2.5	6.0	6.0	7.0	0.5	11.0	334 142 003
	2.5-4.0	6.0	6.0	7.0	0.5	12.5	334 143 003
M 5	0.5-3.0	7.0	7.0	8.0	0.5	12.0	334 162 003
	3.0-4.5	7.0	7.0	8.0	0.5	13.5	334 165 003
M 6	0.5-3.0	9.0	9.0	10.0	0.5	14.0	334 182 003
	3.0-5.0	9.0	9.0	10.0	0.5	16.0	334 183 003
M 8	0.5-3.0	11.0	11.0	12.0	0.5	16.0	334 192 003
	3.0-5.0	11.0	11.0	12.0	0.5	18.5	334 194 003
M 10	1.0-3.5	13.0	13.0	14.2	0.7	19.0	334 197 003

Other designs available on request.



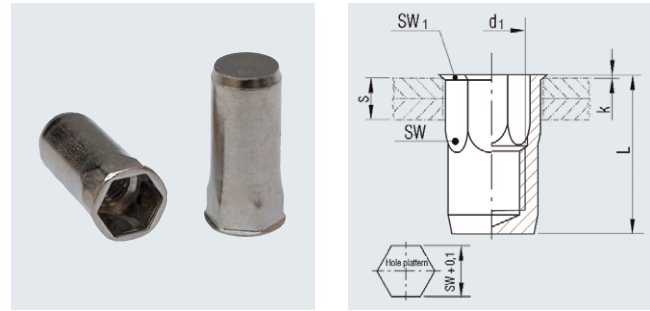
RIV-TI® blind rivet nuts

Part hex body

Small countersunk head, closed end

Material

A2 stainless steel 1.4567



Thread	Grip range s [mm]	Hole ø +0.1 [mm]	Shank ø d +0/-0.15 [mm]	Head ø D ±0.3 [mm]	Head height k +0.3/-0 [mm]	Shank length L +0.5/-0 [mm]	Article No.
M 4	0.5 - 2.5	6.0	6.0	7.0	0.5	16.0	334 421 003
	2.5 - 4.0	6.0	6.0	7.0	0.5	17.5	334 459 003
M 5	0.5 - 3.0	7.0	7.0	8.0	0.5	18.0	334 460 003
M 6	0.5 - 3.0	9.0	9.0	10.0	0.5	21.0	334 462 003
M 8	0.5 - 3.0	11.0	11.0	12.0	0.5	23.5	334 466 003
	3.0 - 5.5	11.0	11.0	12.0	0.5	26.0	334 467 003
M 10	1.0 - 3.5	13.0	13.0	14.2	0.8	26.5	334 468 003

Other designs available on request.