



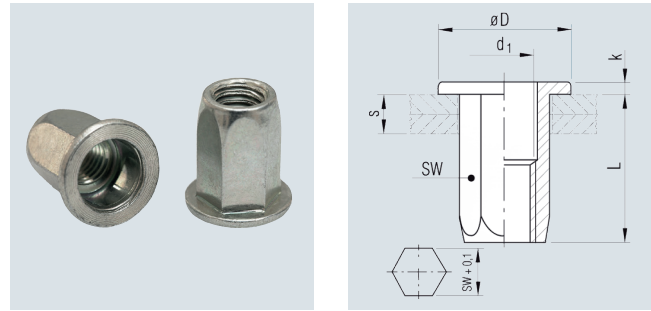
Tubtara® blind rivet nuts

Flat head

Hexagonal shank, open end

Material

Steel Zinktop 480h



Thread d1	Grip range s [mm]	Hex hole \varnothing +0.1 [mm]	Hexagonal shank SW -0.02 -0.15 [mm]	Head \varnothing D ± 0.35 [mm]	Head height k ± 0.15 [mm]	Shank length L ± 0.35 [mm]	Description	Article No.
M 4	0.5 - 2.0	6.0	6.0	9.0	1.0	10.0	HUP020	339 222 950
M 5	0.5 - 3.0	7.0	7.0	10.0	1.0	13.0	HUP030	339 262 950
	3.0 - 5.5	7.0	7.0	10.0	1.0	15.5	HUP055	339 263 950
M 6	0.5 - 3.0	9.0	9.0	13.0	1.5	14.5	HUP030	339 711 950
	3.0 - 5.5	9.0	9.0	13.0	1.5	16.5	HUP055	339 713 950
M 8	0.5 - 3.0	11.0	11.0	16.0	1.5	16.5	HUP030	339 857 950
	3.0 - 5.5	11.0	11.0	16.0	1.5	19.0	HUP055	339 859 950
	5.5 - 8.0	11.0	11.0	16.0	1.5	22.0	HUP080	339 860 950
M 10	0.8 - 3.5	13.0	13.0	19.0	2.0	21.0	HSP035	339 987 950
	3.5 - 6.0	13.0	13.0	19.0	2.0	23.5	HSP060	339 989 950
M 12 ⁵	1.0 - 4.0	16.0	16.0	23.0	2.0	25.0	HUP040	339 998 950

⁵ Semi-hexagonal shank



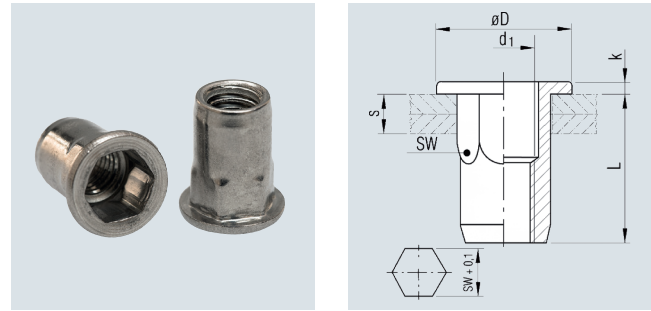
Tubtara® blind rivet nuts

Flat head

Semi-hexagonal shank, open end

Material

Stainless steel AISI 304 Cu 1.4567



Thread	Grip range	Hex hole \varnothing	Hexagonal shank	Head \varnothing	Head height	Shank length	Description	Article No.
d1	s	+0.1	SW -0.02 -0.15	D ± 0.35	k ± 0.15	L ± 0.35		
6H	[mm]	[mm]	[mm]	[mm]	[mm]	[mm]		
M 4	0.5 - 2.0	6.0	6.0	9.0	1.0	11.0	HUP020	334 135 000
	1.0 - 3.0	6.0	6.0	9.0	1.0	12.0	HUP030	334 136 000
M 5	0.5 - 3.0	7.0	7.0	10.0	1.0	11.5	HUP030	334 155 000
	3.0 - 5.0	7.0	7.0	10.0	1.0	13.5	HUP050	334 419 000
M 6	0.5 - 3.0	9.0	9.0	12.0	1.5	14.5	HUP030	334 175 000
	3.0 - 5.0	9.0	9.0	12.0	1.5	16.5	HUP050	334 714 000
M 8	0.5 - 3.0	11.0	11.0	15.0	1.5	16.0	HUP030	334 185 000
	3.0 - 5.5	11.0	11.0	15.0	1.5	18.5	HUP055	334 186 000
M 10	0.8 - 3.5	13.0	13.0	17.0	1.5	21.5 ⁴	HSP035	334 196 000
	3.5 - 6.0	13.0	13.0	17.0	1.5	24.0 ⁴	HSP060	334 199 000
M12	3.0 - 7.0	16.0	16.0	23.0	2.0	28.0	HUP070	334 200 000

⁴ Shank length (L) tolerance: ± 0.5

Tubtara® blind rivet nuts



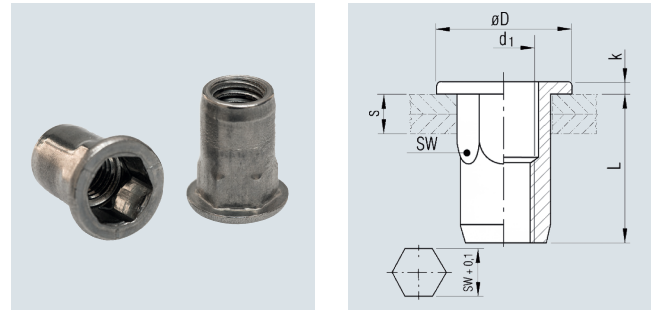
Flat head

Semi-hexagonal shank, open end

Material

Stainless steel AISI 316 Cu 1.4578

Exceptionally high corrosion resistance



Thread	Grip range	Hex hole \varnothing	Hexagonal shank	Head \varnothing	Head height	Shank length	Description	Article No.
d1	s	+0.1	SW -0.02 -0.15	D ± 0.35	k ± 0.15	L ± 0.35		
6H	[mm]	[mm]	[mm]	[mm]	[mm]	[mm]		
M 4	0.5 - 2.0	6.0	6.0	9.0	1.0	11.0	HUP020	334 426 000
M 5	0.5 - 3.0	7.0	7.0	10.0	1.0	11.5	HUP030	334 428 000
	3.0 - 5.0	7.0	7.0	10.0	1.0	13.5	HUP050	334 420 000
M 6	0.5 - 3.0	9.0	9.0	12.0	1.5	14.5	HUP030	334 423 000
	3.0 - 5.0	9.0	9.0	12.0	1.5	16.5	HUP050	334 444 000
M 8	0.5 - 3.0	11.0	11.0	15.0	1.5	16.0	HUP030	334 424 000
	3.0 - 5.5	11.0	11.0	15.0	1.5	18.5	HUP055	334 449 000
M 10	0.8 - 3.5	13.0	13.0	17.0	1.5	21.5 ⁴	HSP035	334 430 000
	3.5 - 6.0	13.0	13.0	17.0	1.5	24.0 ⁴	HSP060	334 411 000

⁴ Shank length (L) tolerance M10-13.0mm: ± 0.5



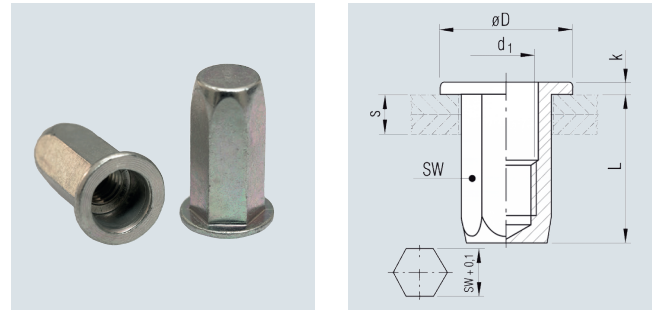
Tubtara® blind rivet nuts

Flat head

Hexagonal shank, closed end

Material

Steel, Zinktop 480h



Thread	Grip range	Hex hole ø	Hexagonal shank	Head ø	Head height	Shank length	Description	Article No.
d1	s	+0.1	SW -0.02 -0.15	D ±0.35	k ±0.15	L ±0.35		
6H	[mm]	[mm]	[mm]	[mm]	[mm]	[mm]		
M 4	0.5 - 2.0	6.0	6.0	9.0	1.0	14.5	HUPX20	339 202 950
M 5	0.5 - 3.0	7.0	7.0	10.0	1.0	19.0	HUPX30	339 242 950
	3.0 - 5.5	7.0	7.0	10.0	1.0	21.5	HUPX55	339 243 950 ²
M 6	0.5 - 3.0	9.0	9.0	13.0	1.5	21.5	HUPX30	339 691 950
	3.0 - 5.5	9.0	9.0	13.0	1.5	23.5	HUPX55	339 693 950
M 8	0.5 - 3.0	11.0	11.0	16.0	1.5	24.5	HUPX30	339 837 950
	3.0 - 5.5	11.0	11.0	16.0	1.5	27.0	HUPX55	339 838 950
M 10	0.8 - 3.5	13.0	13.0	19.0	2.0	31.0	HSPX35	339 970 950
	3.0 - 6.0	13.0	13.0	19.0	2.0	33.5	HSPX60	339 971 950

² Not a stock item - contact us for minimum quantities



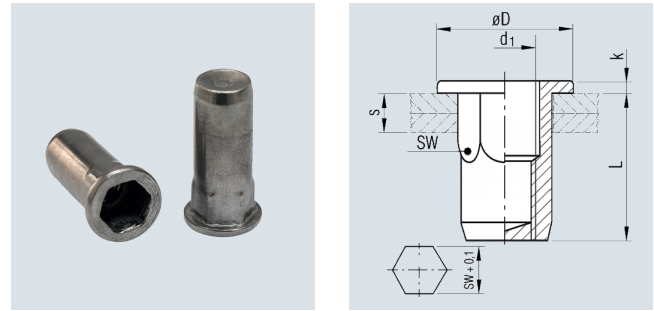
Tubtara® blind rivet nuts

Flat head

Semi-hexagonal shank, closed end

Material

Stainless steel AISI 304 Cu 1.4567



Thread	Grip range	Hex hole \varnothing	Hexagonal shank	Head \varnothing	Head height	Shank length	Description	Article No.
d1	s	+0.1	SW -0.02 -0.15	D ± 0.35	k ± 0.15	L ± 0.35		
6H	[mm]	[mm]	[mm]	[mm]	[mm]	[mm]		
M 4	0.5 - 2.0	6.0	6.0	9.0	1.0	15.0	HUPX20	334 425 000
	1.0 - 3.0	6.0	6.0	9.0	1.0	16.0	HUPX30	334 451 000
M 5	0.5 - 3.0	7.0	7.0	10.0	1.0	17.5	HUPX30	334 427 000
	3.0 - 5.0	7.0	7.0	10.0	1.0	19.5	HUPX50	334 452 000
M 6	0.5 - 3.0	9.0	9.0	12.0	1.5	21.5	HUPX30	334 429 000
	3.0 - 5.0	9.0	9.0	12.0	1.5	23.5	HUPX50	334 453 000
M 8	0.5 - 3.0	11.0	11.0	15.0	1.5	23.5	HUPX30	334 431 000
	3.0 - 5.5	11.0	11.0	15.0	1.5	26.0	HUPX55	334 434 000
M 10	0.8 - 3.5	13.0	13.0	17.0	1.5	28.5 ⁴	HSPX35	334 432 000
	3.5 - 6.0	13.0	13.0	17.0	1.5	31.0 ⁴	HSPX60	334 456 000
M 12	3.0 - 7.0	16.0	16.0	23.0	2.0	38.5	HUPX70	334 457 000

⁴ Shank length (L) tolerance: ± 0.5

Tubtara® blind rivet nuts



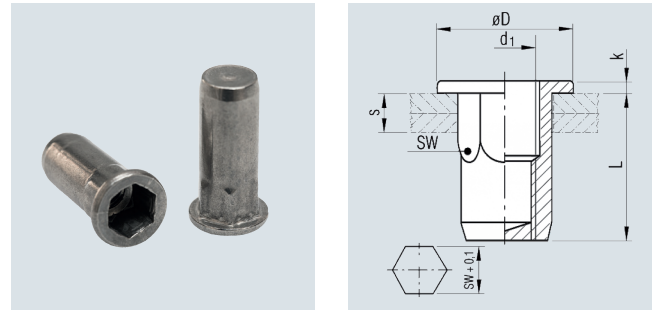
Flat head

Semi-hexagonal shank, closed end

Material

Stainless steel AISI 316 Cu 1.4578

Exceptionally high corrosion resistance



Thread	Grip range	Hex hole \varnothing	Hexagonal shank	Head \varnothing	Head height	Shank length	Description	Article No.
d1	s	+0.1	SW -0.02 -0.15	D ± 0.35	k ± 0.15	L ± 0.35		
6H	[mm]	[mm]	[mm]	[mm]	[mm]	[mm]		
M 4	0.5 - 2.0	6.0	6.0	9.0	1.0	15.0	HUPX20	334 442 000
M 5	0.5 - 3.0	7.0	7.0	10.0	1.0	17.5	HUPX30	334 443 000
	3.0 - 5.0	7.0	7.0	10.0	1.0	19.5	HUPX50	334 505 000
M 6	0.5 - 3.0	9.0	9.0	12.0	1.5	21.5	HUPX30	334 446 000
	3.0 - 5.0	9.0	9.0	12.0	1.5	23.5	HUPX50	334 506 000
M 8	0.5 - 3.0	11.0	11.0	15.0	1.5	23.5	HUPX30	334 447 000
	3.0 - 5.5	11.0	11.0	15.0	1.5	26.0	HUPX55	334 507 000
M 10	0.8 - 3.5	13.0	13.0	17.0	1.5	28.5 ⁴	HSPX35	334 508 000
	3.5 - 6.0	13.0	13.0	17.0	1.5	31.0 ⁴	HSPX60	334 509 000

⁴ Shank length (L) tolerance: ± 0.5



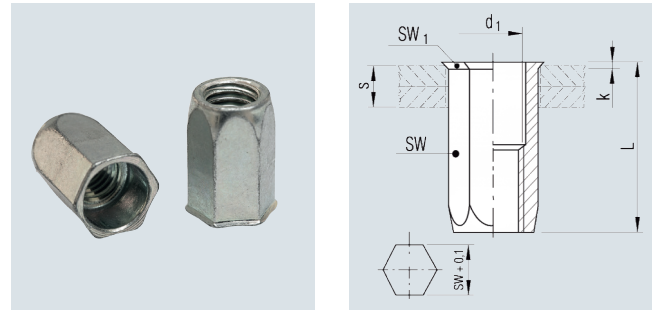
Tubtara® blind rivet nuts

Low profile head

Hexagonal shank, open end
- No need to countersink holes

Material

Steel, Zinktop 480h



Thread	Grip range	Hex hole \varnothing	Hexagonal shank	Head \varnothing	Head height	Shank length	Description	Article No.
d1	s	+0.1	SW -0.02 -0.15	D -0.15 +0.3	k -0.05 +0.3	L \pm0.35		
6H	[mm]	[mm]	[mm]	[mm]	[mm]	[mm]		
M 4	0.5 - 2.0	6.0	6.0	6.6	0.6	11.0	HUK020	339 322 950
M 5	0.5 - 3.0	7.0	7.0	7.7	0.6	14.0	HUK030	339 362 950
	3.0 - 5.5	7.0	7.0	7.7	0.6	16.5	HUK055	339 363 950
M 6	0.5 - 3.0	9.0	9.0	9.8	0.7	16.0	HUK030	339 811 950
	3.0 - 5.5	9.0	9.0	9.8	0.7	18.5	HUK055	339 812 950
M 8	0.5 - 3.0	11.0	11.0	11.8	0.7	18.0	HUK030	339 957 950
	3.0 - 5.5	11.0	11.0	11.8	0.7	20.5	HUK055	339 959 950
	5.5 - 8.0	11.0	11.0	11.8	0.7	23.0	HUK080	339 960 950
M 10	0.8 - 3.5	13.0	13.0	13.8	0.7	23.0	HSK035	339 991 950
	3.5 - 6.0	13.0	13.0	13.8	0.7	25.5	HSK060	339 993 950



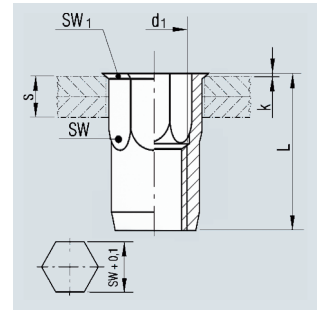
Tubtara® blind rivet nuts

Low profile head

Semi-hexagonal shank, open end
- No need to countersink holes

Material

Stainless steel AISI 304 Cu 1.4567



Thread	Grip range	Hex hole \varnothing	Hexagonal shank	Head \varnothing	Head height	Shank length	Description	Article No.
d1	s	+0.1	SW -0.02 -0.15	D -0.15 +0.3	k -0.05 +0.3	L \pm0.35		
6H	[mm]	[mm]	[mm]	[mm]	[mm]	[mm]		
M 4	0.5 - 2.0	6.0	6.0	6.5	0.5	11.0	HUK020	334 142 000
	2.0 - 3.0	6.0	6.0	6.5	0.5	12.0	HUK030	334 143 000
M 5	0.5 - 3.0	7.0	7.0	7.5	0.5	12.0	HUK030	334 162 000
	3.0 - 5.0	7.0	7.0	7.5	0.5	14.0	HUK050	334 165 000
M 6	0.5 - 3.0	9.0	9.0	9.7	0.5	14.5	HUK030	334 182 000
	3.0 - 5.0	9.0	9.0	9.7	0.5	16.5	HUK050	334 183 000
	5.0 - 7.0	9.0	9.0	9.7	0.5	18.5	HUK070	334 184 000
M 8	0.5 - 3.0	11.0	11.0	11.8	0.5	16.0	HUK030	334 192 000
	3.0 - 5.5	11.0	11.0	11.8	0.5	18.5	HUK055	334 194 000
	5.5 - 8.0	11.0	11.0	11.8	0.5	21.0	HUK080	334 187 000
M 10	0.8 - 3.5	13.0	13.0	13.8	0.7	21.0 ⁴	HSK035	334 197 000
	3.5 - 6.0	13.0	13.0	13.8	0.7	23.5 ⁴	HSK060	334 198 000 ²
M 12	4.0 - 7.0	16.0	16.0	17.5	1.1	28.5	HUK070	334 188 000

² Not a stock item - contact us for minimum quantities

⁴ Shank length (L) tolerance: \pm 0.5

Tubtara® blind rivet nuts



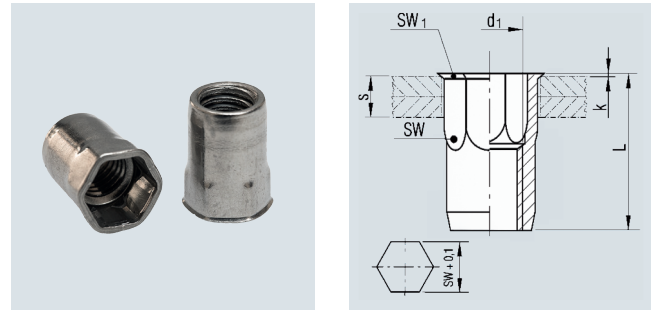
Low profile head

Semi-hexagonal shank, open end
- No need to countersink holes

Material

Stainless steel AISI 316 Cu 1.4578

Exceptionally high corrosion resistance



Thread	Grip range	Hex hole \varnothing	Hexagonal shank	Head \varnothing	Head height	Shank length	Description	Article No.
d1	s	+0.1	SW -0.02 -0.15	D -0.15 +0.3	k -0.05 +0.3	L \pm0.35		
6H	[mm]	[mm]	[mm]	[mm]	[mm]	[mm]		
M 4	0.5 - 2.0	6.0	6.0	6.5	0.5	11.0	HUK020	334 412 000
M 5	0.5 - 3.0	7.0	7.0	7.5	0.5	12.0	HUK030	334 438 000
	3.0 - 5.0	7.0	7.0	7.5	0.5	14.0	HUK050	334 510 000
M 6	0.5 - 3.0	9.0	9.0	9.7	0.5	14.5	HUK030	334 433 000
	3.0 - 5.0	9.0	9.0	9.7	0.5	16.5	HUK050	334 511 000
M 8	0.5 - 3.0	11.0	11.0	11.8	0.5	16.0	HUK030	334 435 000
	3.0 - 5.5	11.0	11.0	11.8	0.5	18.5	HUK055	334 512 000
M 10	0.8 - 3.5	13.0	13.0	13.8	0.7	21.0 ⁴	HSK035	334 454 000
	3.5 - 6.0	13.0	13.0	13.8	0.7	23.5 ⁴	HSK060	334 455 000

⁴ Shank length (L) tolerance: \pm 0.5



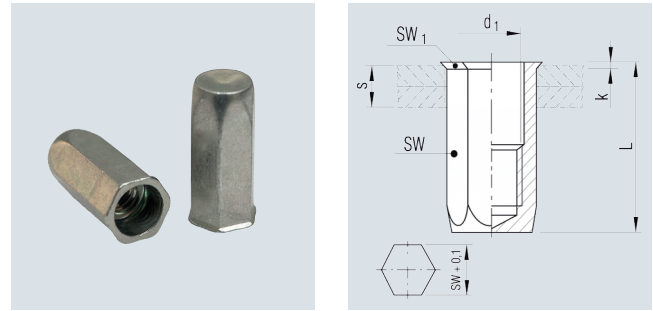
Tubtara® blind rivet nuts

Low profile head

Hexagonal shank, closed end
 - No need to countersink holes

Material

Steel, Zinktop 480h



Thread	Grip range	Hex hole \varnothing	Hexagonal shank	Head \varnothing	Head height	Shank length	Description	Article No.
d1	s	+0.1	SW -0.02 -0.15	D -0.15 +0.3	k -0.05 +0.3	L \pm0.35		
6H	[mm]	[mm]	[mm]	[mm]	[mm]	[mm]		
M 4	0.5 - 2.0	6.0	6.0	6.6	0.6	15.5	HUKX20	339 422 950
M 5	0.5 - 3.0	7.0	7.0	7.7	0.7	20.0	HUKX30	339 462 950
	3.0 - 5.5	7.0	7.0	7.7	0.7	22.5	HUKX55	339 464 950
M 6	0.5 - 3.0	9.0	9.0	9.8	0.7	22.0	HUKX30	339 911 950
	3.0 - 5.5	9.0	9.0	9.8	0.7	24.5	HUKX55	339 912 950
M 8	0.5 - 3.0	11.0	11.0	11.8	0.7	25.0	HUKX30	339 967 950
	3.0 - 5.5	11.0	11.0	11.8	0.7	27.5	HUKX55	339 968 950
M 10	0.8 - 3.5	13.0	13.0	13.8	0.7	32.0	HSKX35	339 969 950

Tubtara® blind rivet nuts

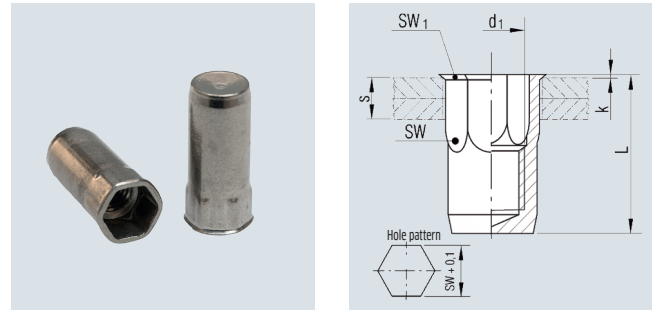


Low profile head

Semi-hexagonal shank, closed end
- No need to countersink holes

Material

Stainless steel AISI 304 Cu 1.4567



Thread	Grip range	Hex hole \varnothing	Hexagonal shank	Head \varnothing	Head height	Shank length	Description	Article No.
d1	s	+0.1	SW -0.02 -0.15	D -0.15 +0.3	k -0.05 +0.3	L \pm0.35		
6H	[mm]	[mm]	[mm]	[mm]	[mm]	[mm]		
M 4	0.5 - 2.0	6.0	6.0	6.5	0.5	15.5	HUKX20	334 421 000
	2.0 - 3.0	6.0	6.0	6.5	0.5	16.5	HUKX30	334 459 000
M 5	0.5 - 3.0	7.0	7.0	7.5	0.5	18.0	HUKX30	334 460 000
	3.0 - 5.0	7.0	7.0	7.5	0.5	20.5	HUKX50	334 461 000
M 6	0.5 - 3.0	9.0	9.0	9.7	0.5	21.5	HUKX30	334 462 000
	3.0 - 5.0	9.0	9.0	9.7	0.5	23.5	HUKX50	334 463 000
	5.0 - 7.0	9.0	9.0	9.7	0.5	25.5	HUKX70	334 458 000
M 8	0.5 - 3.0	11.0	11.0	11.8	0.5	24.0	HUKX30	334 466 000
	3.0 - 5.5	11.0	11.0	11.8	0.5	26.5	HUKX55	334 467 000
	5.5 - 8.0	11.0	11.0	11.8	0.5	29.0	HUKX80	334 501 000
M 10	0.8 - 3.5	13.0	13.0	13.8	0.7	29.5 ⁴	HSKX35	334 502 000
	3.5 - 6.0	13.0	13.0	13.8	0.7	32.0 ⁴	HSKX60	334 503 000
M 12	4.0 - 7.0	16.0	16.0	17.5	1.1	39.0	HUKX70	334 504 000

⁴ Shank length (L) tolerance: \pm 0.5



Tubtara® blind rivet nuts

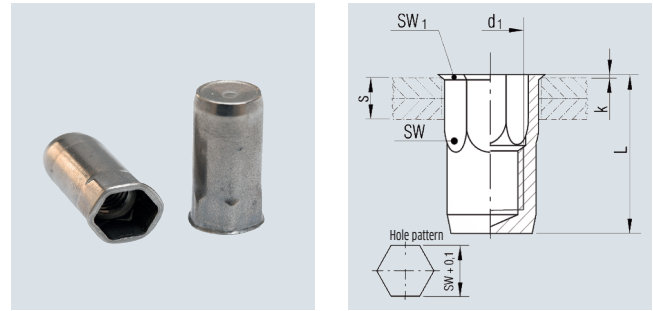
Low profile head

Semi-hexagonal shank, closed end
 - No need to countersink holes

Material

Stainless steel AISI 316 Cu 1.4578

Exceptionally high corrosion resistance



Thread	Grip range	Hole ø	Shank ø	Head ø	Head height	Shank length	Description	Article No.
d1	s	+0.1	d -0.02 -0.15	D -0.15 +0.3	k -0.05 +0.3	L ±0.35		
6H	[mm]	[mm]	[mm]	[mm]	[mm]	[mm]		
M 4	0.5 - 2.0	6.0	6.0	6.5	0.5	15.5	HUKX20	334 436 000
M 5	0.5 - 3.0	7.0	7.0	7.5	0.5	18.0	HUKX30	334 437 000
	3.0 - 5.0	7.0	7.0	7.5	0.5	20.5	HUKX50	334 448 000
M 6	0.5 - 3.0	9.0	9.0	9.7	0.5	21.5	HUKX30	334 439 000
	3.0 - 5.0	9.0	9.0	9.7	0.5	23.5	HUKX50	334 513 000
M 8	0.5 - 3.0	11.0	11.0	11.8	0.5	24.0	HUKX30	334 441 000
	3.0 - 5.5	11.0	11.0	11.8	0.5	26.5	HUKX55	334 440 000
M 10	0.8 - 3.5	13.0	13.0	13.8	0.7	29.5 ⁴	HSKX35	334 514 000
	3.5 - 6.0	13.0	13.0	13.8	0.7	32.0 ⁴	HSKX60	334 515 000
M 12	4.0 - 7.0	16.0	16.0	17.5	1.1	39.0	HUKX70	334 516 000

⁴ Shank length (L) tolerance: ±0.5