

**QUICK
COUPLING FOR
COMPRESSED
AIR**
GERMANY SERIES

PLUS

**EASY CONNECTION
AND DISCONNECTION**

**SUITABLE FOR PNEUMATIC
APPLICATIONS**



p. 429 / **8310FM**



p. 429 / **8320FF**



p. 430 / **8330RE**



p. 430 / **8390PO**



p. 430 / **8350MO**



p. 430 / **8360MM**



p. 431 / **8370FM**



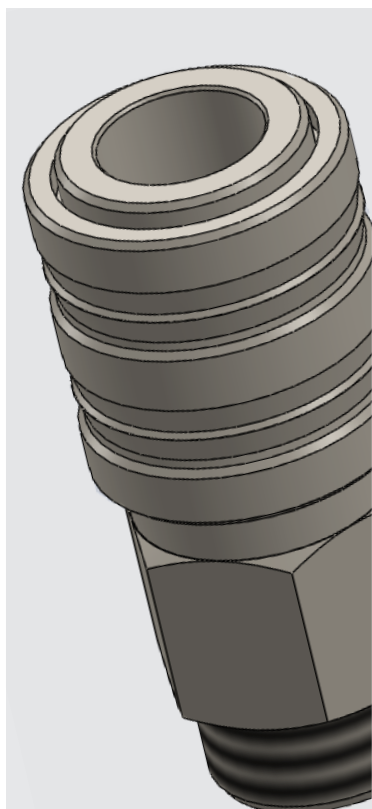
p. 431 / **8340PO**



p. 431 / **8380RE**



p. 431 / **8395MO**



-15°C ÷ +80°C



Up to 8 Bar

NOMINAL DIAMETER

7,0 mm

FLOW

2000 l/min



Compressed air

Taper gas from R1/4" to R1/2"
Parallel gas from G1/4" to G1/2"**PROFILE**Products in compliance with
the directive 2002/95/EC**RoHS2**Products in compliance with
the directive 2011/65/EU**8310FM**

Male quick coupler



| CODE | T | L | H |
|----------|-------|------|----|
| 8310FM02 | R1/4" | 51,5 | 19 |
| 8310FM03 | R3/8" | 51,5 | 19 |
| 8310FM04 | R1/2" | 54,5 | 22 |

8320FF

Female quick coupler



| CODE | T | L | H |
|----------|-------|------|----|
| 8320FF02 | G1/4" | 51,4 | 19 |
| 8320FF03 | G3/8" | 57,0 | 19 |
| 8320FF04 | G1/2" | 54,3 | 25 |

8330RE

Barb connector quick coupler



| CODE | D | L | H |
|----------|----|------|----|
| 8330RE06 | 6 | 38,5 | 19 |
| 8330RE07 | 7 | 61,5 | 19 |
| 8330RE08 | 8 | 63,1 | 19 |
| 8330RE09 | 9 | 63,3 | 19 |
| 8330RE10 | 10 | 65,7 | 19 |
| 8330RE12 | 12 | 66,7 | 19 |
| 8330RE13 | 13 | 66,3 | 19 |

8390PO

Hose connector quick coupler



| CODE | D | L | H1 | H2 |
|------------|-------|------|----|----|
| 8390PO610 | 6X10 | 72,5 | 19 | 15 |
| 8390PO612 | 6X12 | 72,5 | 19 | 15 |
| 8390PO614 | 6X14 | 73,2 | 19 | 20 |
| 8390PO812 | 8X12 | 70,0 | 19 | 15 |
| 8390PO817 | 8X17 | 70,3 | 19 | 20 |
| 8390PO1019 | 10X19 | 76,4 | 19 | 20 |

8350MO

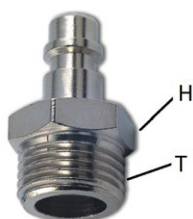
Quick coupler with spring



| CODE | D | L | H1 | H2 |
|------------|--------|-------|----|----|
| 8350MO46 | 4X6 | 129,0 | 19 | 12 |
| 8350MO58 | 5X8 | 139,0 | 19 | 13 |
| 8350MO68 | 6X8 | 137,0 | 19 | 13 |
| 8350MO6510 | 6,5X10 | 140,0 | 19 | 15 |
| 8350MO810 | 8X10 | 139,5 | 19 | 15 |
| 8350MO1012 | 10X12 | 144,7 | 19 | 17 |

8360MM

Male connection



| CODE | T | L | H |
|----------|-------|------|----|
| 8360MM02 | R1/4" | 33,5 | 14 |
| 8360MM03 | R3/8" | 35,5 | 17 |
| 8360MM04 | R1/2" | 38,4 | 22 |

8370FM

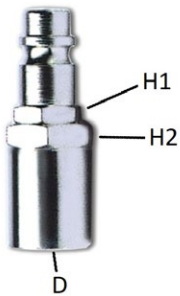
Female connection



| CODE | T | L | H |
|----------|-------|------|----|
| 8370FM02 | G1/4" | 33,1 | 15 |
| 8370FM03 | G3/8" | 35,0 | 19 |
| 8370FM04 | G1/2" | 38,0 | 25 |

8340PO

Connection with hose connector



| CODE | D | L | H1 | H2 |
|------------|-------|------|----|----|
| 8340PO1019 | 6X10 | 51,4 | 13 | 15 |
| 8340PO610 | 6X12 | 51,4 | 13 | 15 |
| 8340PO612 | 6X14 | 51,4 | 13 | 17 |
| 8340PO614 | 8X17 | 52,5 | 13 | 18 |
| 8340PO817 | 10X19 | 55,4 | 12 | 22 |

8380RE

Connection with barb connector



| CODE | D | P |
|----------|----|------|
| 8380RE06 | 6 | 38,2 |
| 8380RE07 | 7 | 40,0 |
| 8380RE08 | 8 | 40,2 |
| 8380RE09 | 9 | 40,9 |
| 8380RE10 | 10 | 39,4 |
| 8380RE12 | 12 | 44,6 |
| 8380RE13 | 13 | 45,6 |

8395MO

Connection with barb connector



| CODE | D | L | H1 | H2 |
|------------|--------|-------|----|----|
| 8395MO46 | 4X6 | 103,2 | 13 | 12 |
| 8395MO58 | 5X8 | 119,5 | 13 | 13 |
| 8395MO68 | 6X8 | 124,3 | 13 | 13 |
| 8395MO6510 | 6,5X10 | 120,5 | 13 | 15 |
| 8395MO810 | 8X10 | 123,2 | 13 | 15 |
| 8395MO1012 | 10X12 | 123,2 | 13 | 17 |