



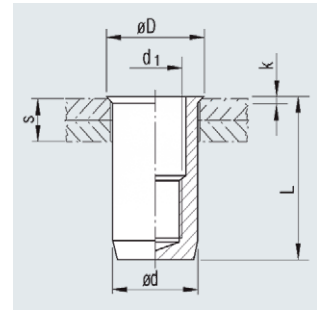
# RIV-TI® blind rivet nuts

## Round body

Small countersunk head, closed end

### Material

A2 stainless steel 1.4567



Thread	Grip range s [mm]	Hole ø +0.1 [mm]	Shank ø d ±0.1 [mm]	Head ø D ±0.3 [mm]	Head height k 0.3/-0 [mm]	Shank length L 0.5/-0 [mm]	Article No.
M 4	0.5-2.5	6.0	5.9	7.0	0.5	16.0	334 373 003
M 5	0.5-3.0	7.0	6.9	8.0	0.5	18.0	334 383 003
M 6	0.5-3.0	9.0	8.9	10.0	0.5	21.0	334 393 003
M 8	0.5-3.0	11.0	10.9	12.0	0.5	23.5	334 396 003
M 10	1.0-3.5	13.0	12.9	14.2	0.8	26.5	334 398 003

Other designs available on request.